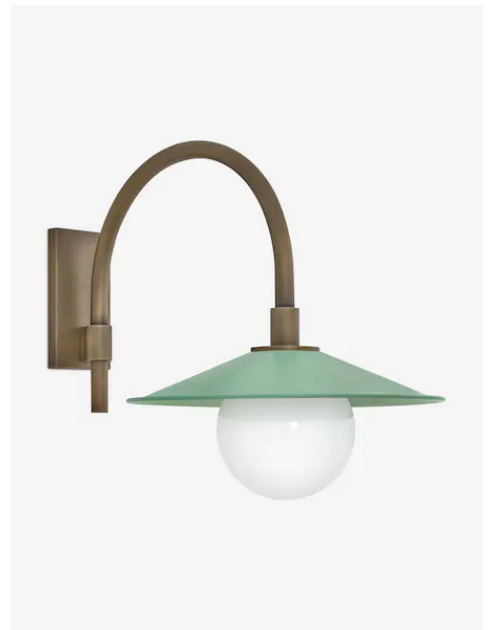
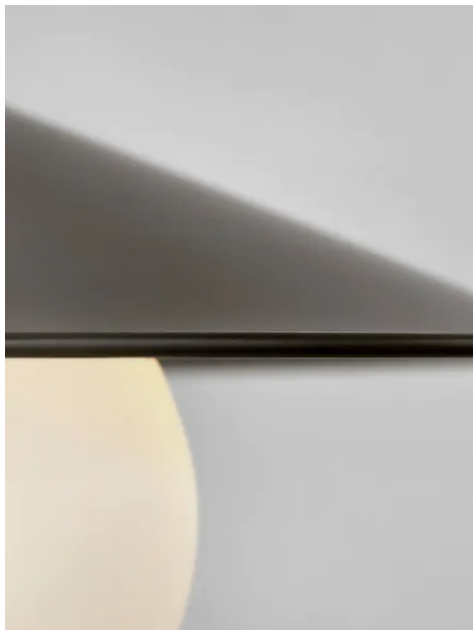


THE URBAN ELECTRIC C^o.



ABNEY



ABNEY

WALL REGULAR

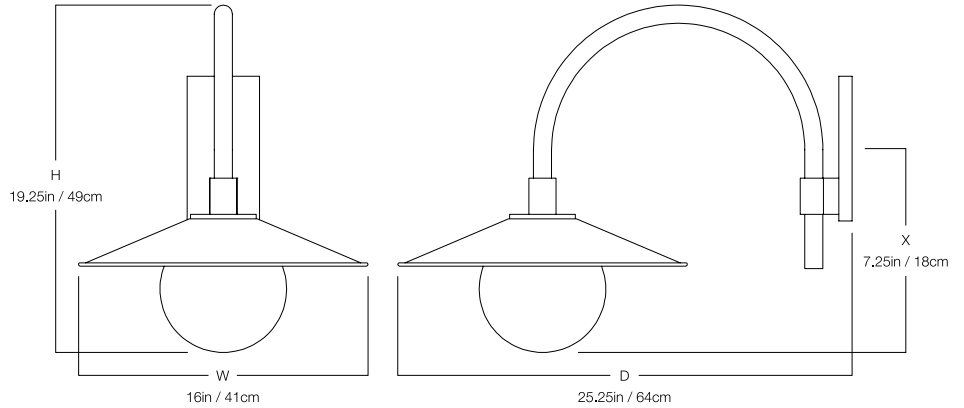
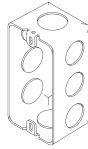
UE-2110WR

DIMENSIONS

Width	16in
Height	19.25in
Depth	25.25in
X	7.25in

MOUNTING

Recommended Installers	2
Weight	15lbs
Backplate	4in x 8in
Junction Box	2in x 4in rect



LAMP / WIRING

Max Wattage (1) 60W S
Ships with complimentary LED bulb



RATING

Suitable for WET locations

UL Listed

