

THE URBAN ELECTRIC COMPANY



ACADEMY DOUBLE



ACADEMY DOUBLE

HANG REGULAR

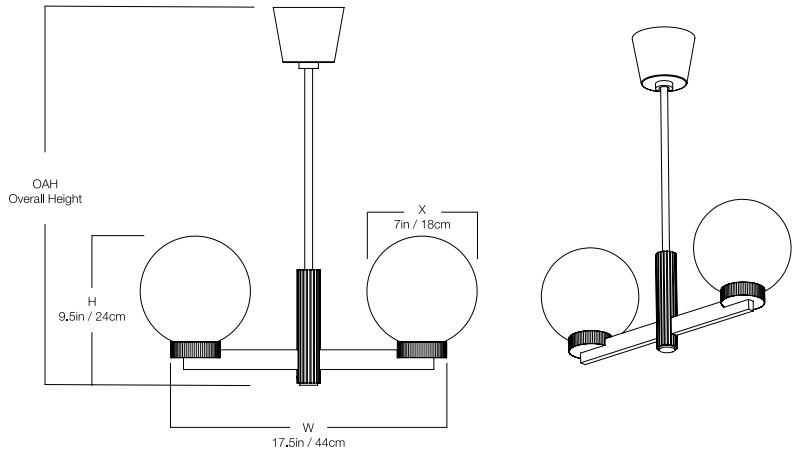
UE-2076HR

DIMENSIONS

Width	17.5in
Height	9.5in
Depth	21.5in
X	7in

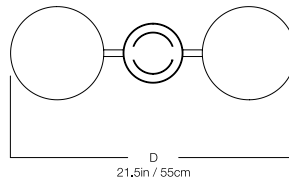
MOUNTING

Recommended Installers	2
Weight	11lbs
Canopy	4.5in x 3.5in
Junction Box	4in oct/rnd



LAMP / WIRING

Max Wattage	(2) 60W S
Ships with complimentary LED bulbs	



RATING

Suitable for DAMP locations

UL Listed

