

THE URBAN ELECTRIC C<sup>o</sup>.



ACE V.1



# ACE V.1

HANG REGULAR

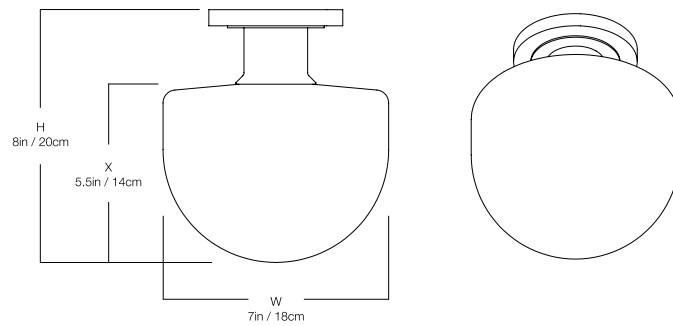
UE-2333HR

## DIMENSIONS

Width	7in
Height	8in
X	5.5in

## MOUNTING

Recommended Installers	0
Weight	3lbs
Canopy	4in x 0in
Junction Box	4in oct/rnd



## LAMP / WIRING

Max Wattage (1) 60W S  
Ships with complimentary LED bulb



## RATING

Suitable for DAMP locations



UL Listed

