

THE URBAN ELECTRIC C^o.



ACE V.2



ACE V.2

HANG REGULAR

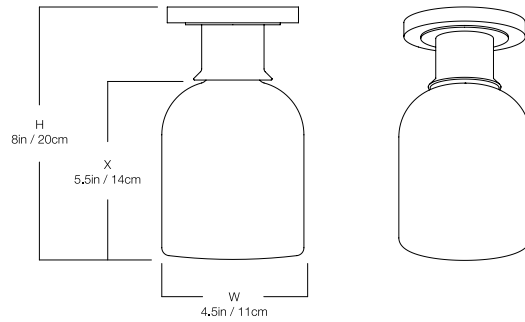
UE-2334HR

DIMENSIONS

Width	4.5in
Height	8in
X	5.5in

MOUNTING

Recommended Installers	0
Weight	3lbs
Canopy	4in x 0in
Junction Box	4in oct/rnd



LAMP / WIRING

Max Wattage (1) 60W S
Ships with complimentary LED bulb



RATING

Suitable for DAMP locations



UL Listed

