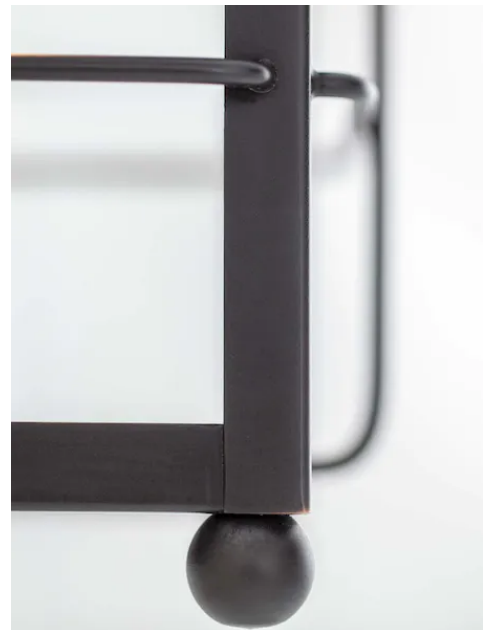


THE URBAN ELECTRIC C^o.



ADGER'S WHARF



ADGER'S WHARF

ADGER'S WHARF WALL REGULAR

JG-1900WR

DIMENSIONS

Width	6.5in
Height	21.25in
Depth	8in
X	6.75in
Y	16.75in

MOUNTING

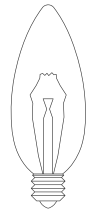
Recommended Installers	1
Weight	7lbs
Backplate	4.5in x 8in
Junction Box	4in oct/rnd



LAMP / WIRING

Max Wattage	(1) 60W C
-------------	-----------

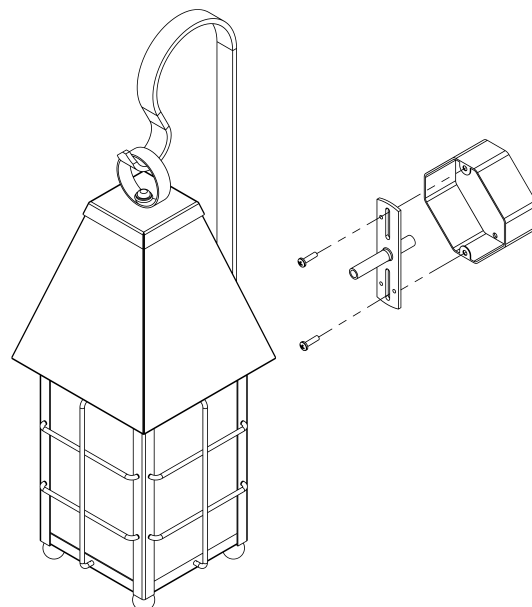
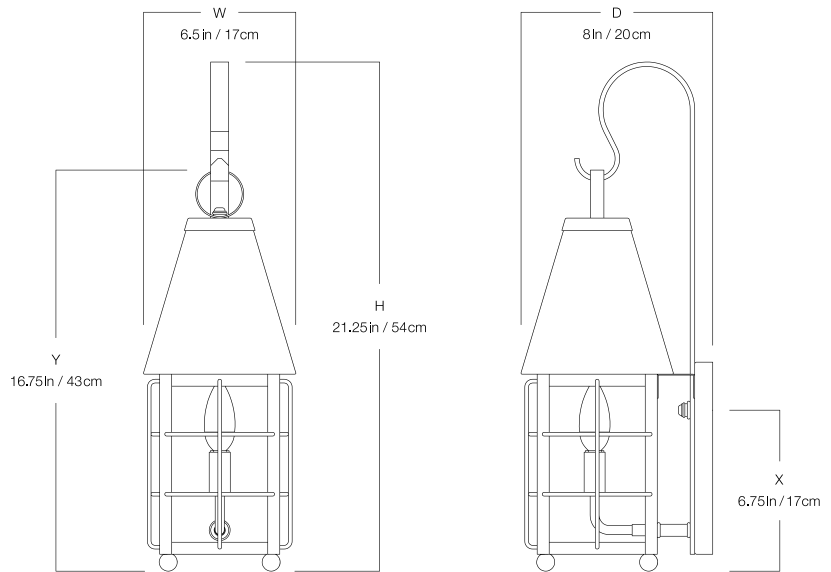
Ships with complimentary LED bulb



RATING

Suitable for WET locations

UL Listed



ADGER'S WHARF

ADGER'S WHARF WALL LARGE

JG-1900WL

DIMENSIONS

Width	7.5in
Height	27.25in
Depth	10in
X	7.75in
Y	20.25in

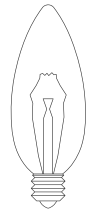
MOUNTING

Recommended Installers	2
Weight	10lbs
Backplate	4.5in x 10in
Junction Box	4in oct/rnd



LAMP / WIRING

Max Wattage	(2) 60W C
Ships with complimentary LED bulbs	



RATING

Suitable for WET locations



UL Listed

