

THE URBAN ELECTRIC COMPANY



ALBEE



# ALBEE

HANG REGULAR

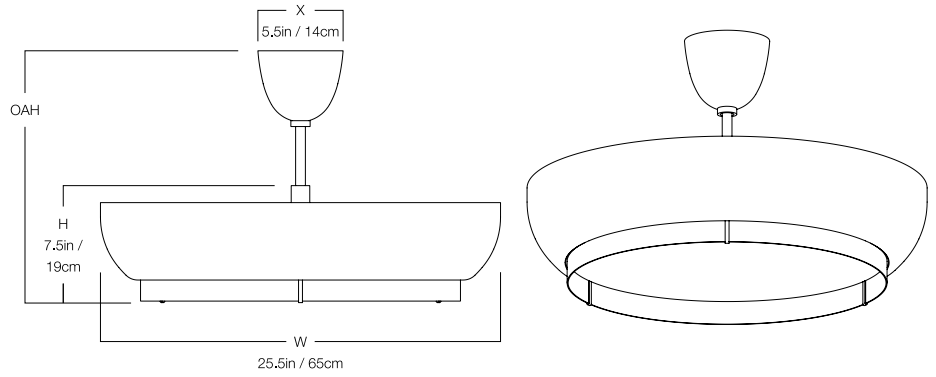
UE-2090HR

## DIMENSIONS

Width	25.5in
Height	7.5in
Depth	25.5in
X	5.5in

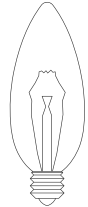
## MOUNTING

Recommended Installers	2
Weight	23lbs
Canopy	5.5in x 4.5in
Junction Box	4in oct/rnd



## LAMP / WIRING

Max Wattage (4) 60W C  
Ships with complimentary LED bulbs



## RATING

Suitable for DAMP locations

UL Listed

