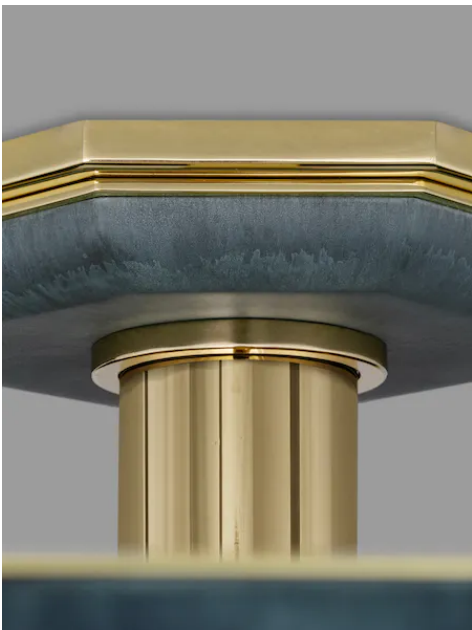


THE URBAN ELECTRIC CO.



ALBERT GATE FLUSHMOUNT



ALBERT GATE FLUSHMOUNT

HANG REGULAR

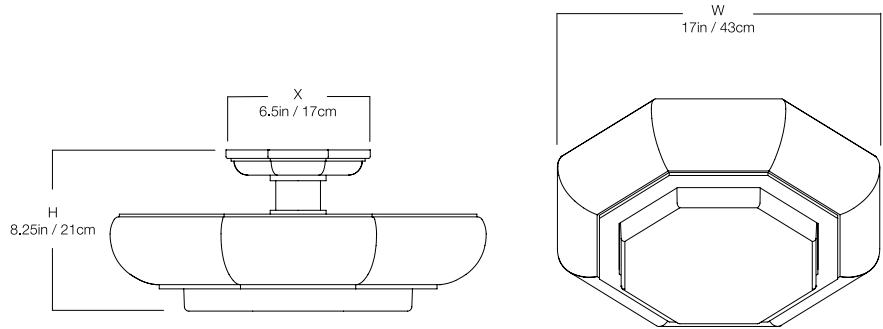
UE-2218HR

DIMENSIONS

Width	17in
Height	8.25in
X	6.5in

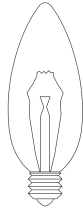
MOUNTING

Recommended Installers	2
Weight	19lbs
Canopy	6.5in dia
Junction Box	4in oct/rnd



LAMP / WIRING

Max Wattage (3) 40W C
Ships with complimentary LED bulbs



RATING

Suitable for DAMP locations



UL Listed

