

THE URBAN ELECTRIC COMPANY



AMES



AMES

WALL GRANDE

UE-2124WG

DIMENSIONS

Width	2in
Height	12.75in
Depth	3.25in
X	8.75in

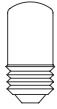
MOUNTING

Recommended Installers	1
Weight	5lbs
Backplate	2in x 8.25in
Junction Box	1.5in x 3.75in rect



LAMP / WIRING

Max Wattage (1) 40W S
Ships with complimentary LED bulb



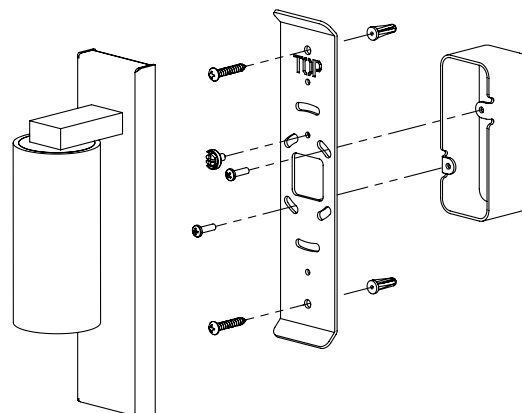
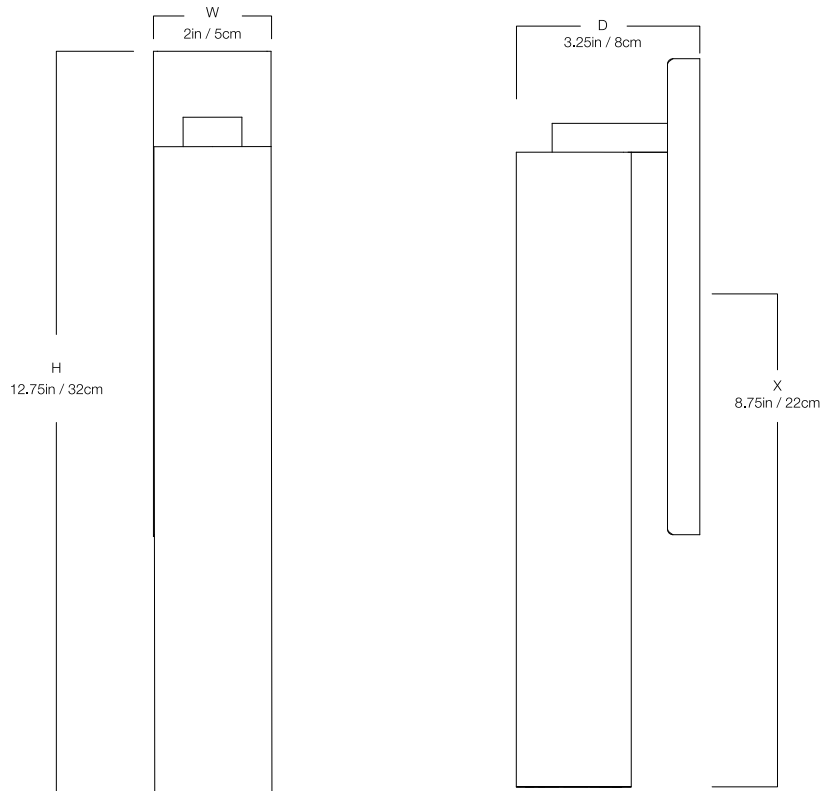
RATING

Suitable for WET locations



UL Listed

ADA Compliant



AMES

WALL LARGE

UE-2124WL

DIMENSIONS

Width	2in
Height	9.75in
Depth	3.25in
X	5.75in

MOUNTING

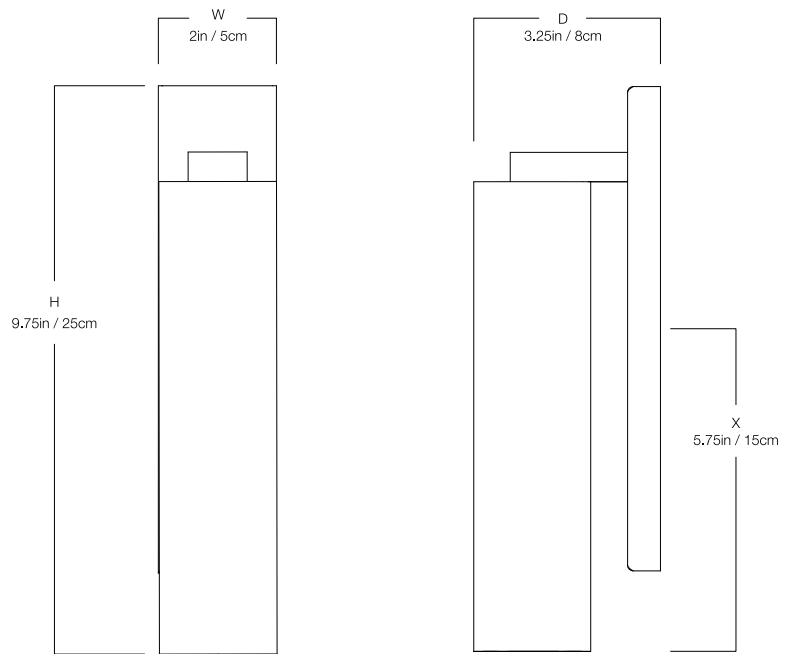
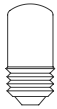
Recommended Installers	1
Weight	4lbs
Backplate	2in x 8.25in
Junction Box	1.5in x 3.75in rect



LAMP / WIRING

Max Wattage (1) 40W S

Ships with complimentary LED bulb



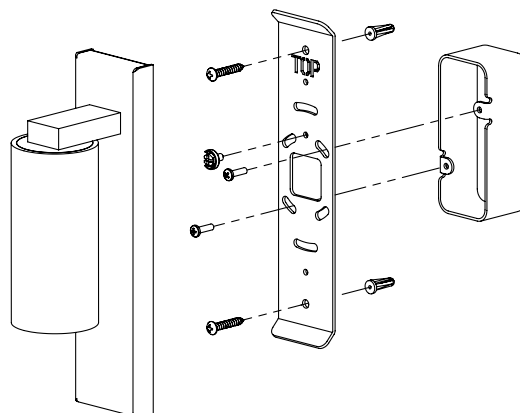
RATING

Suitable for WET locations



UL Listed

ADA Compliant



AMES

WALL REGULAR

UE-2124WR

DIMENSIONS

Width	2in
Height	8.25in
Depth	3.25in
X	4.25in

MOUNTING

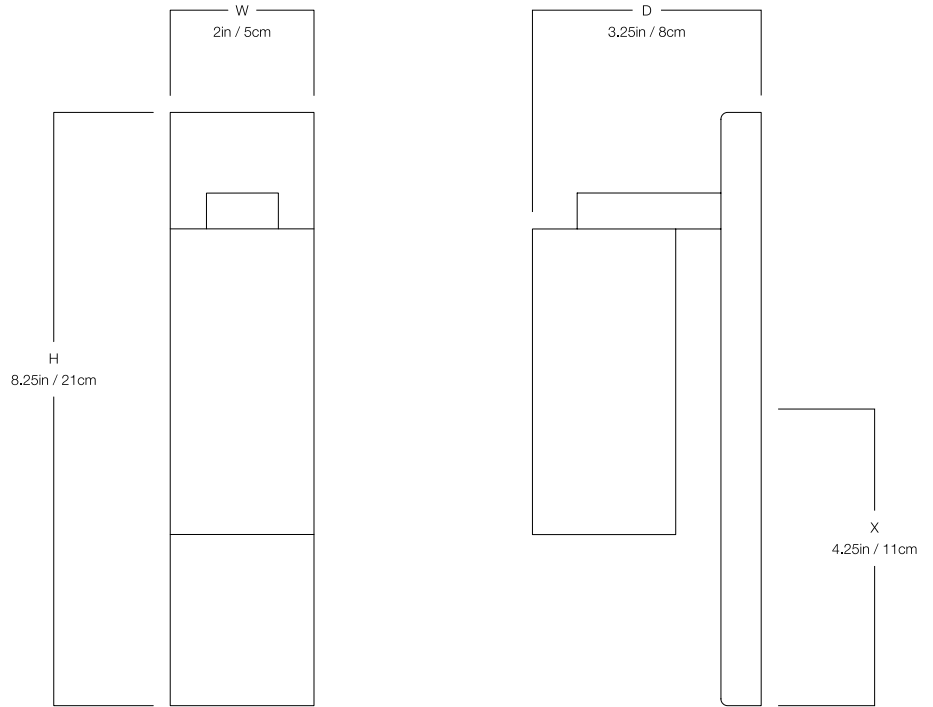
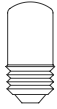
Recommended Installers	1
Weight	3lbs
Backplate	2in x 8.25in
Junction Box	1.5in x 3.75in rect



LAMP / WIRING

Max Wattage (1) 40W S

Ships with complimentary LED bulb



RATING

Suitable for WET locations



UL Listed

ADA Compliant

