

THE URBAN ELECTRIC C^o.



ARC



ARC

HANG REGULAR

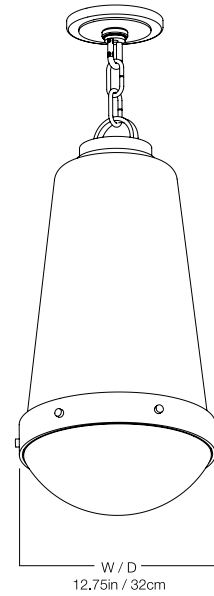
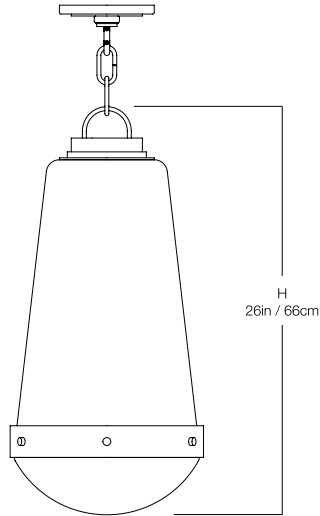
UE-2242HR

DIMENSIONS

Width	12.75in
Height	26in
Depth	0in
X	0in
Y	0in
Z	0in

MOUNTING

Recommended Installers	2
Weight	19lbs
Canopy	6in x 0in
Junction Box	4in oct/rnd



LAMP / WIRING

Max Wattage (2) 60W S
Ships with complimentary LED bulbs



RATING

Suitable for DAMP locations



UL Listed

ADA compliant

