

THE URBAN ELECTRIC C^o.



ARCADE



ARCADE

WALL REGULAR

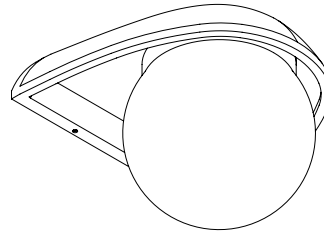
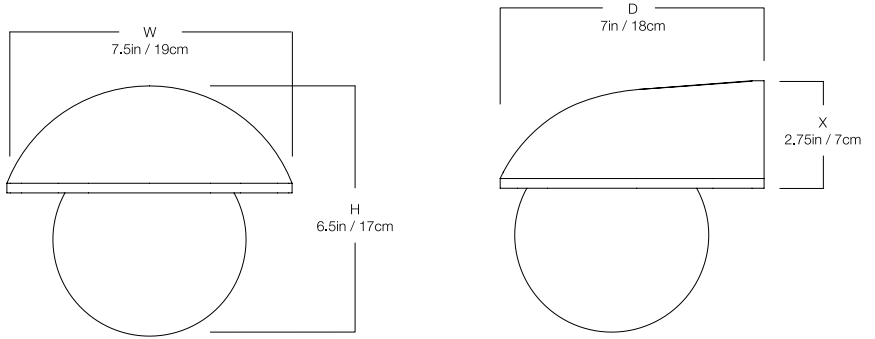
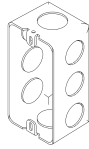
UE-2360WR

DIMENSIONS

| | |
|--------|--------|
| Width | 7.5in |
| Height | 6.5in |
| Depth | 7in |
| X | 5.25in |
| Y | 1.5in |
| Z | 2.75in |

MOUNTING

| | |
|------------------------|---------------------|
| Recommended Installers | 2 |
| Weight | 9lbs |
| Backplate | 7.5in x 2.75in |
| Junction Box | 1.5in x 3.75in rect |



LAMP / WIRING

Max Wattage (1) 60W S

Ships with complimentary incandescent bulb



RATING

Suitable for WET locations

UL Listed

