

THE URBAN ELECTRIC C<sup>o</sup>.



BANGLE



# BANGLE

HANG REGULAR

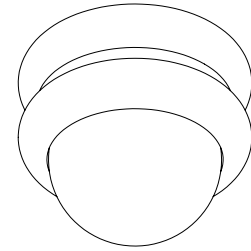
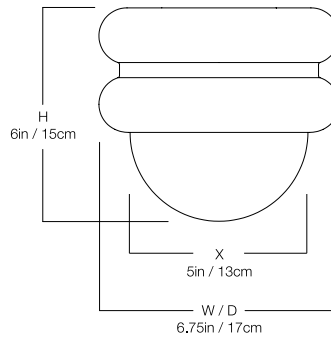
UE-2230HR

## DIMENSIONS

Width	6.75in
Height	6in
Depth	6.75in
X	5in

## MOUNTING

Recommended Installers	1
Weight	15lbs
Canopy	6.75in dia
Junction Box	4in oct/rnd



## LAMP / WIRING

Max Wattage (1) 60W S  
Ships with complimentary LED bulb



## RATING

Suitable for DAMP locations



UL Listed

## PATENTS

This fixture has been filed with the United States Patent and Trademark Office, U.S. Pat. Pen. (U.S. Appl. No. 29/862,970)

