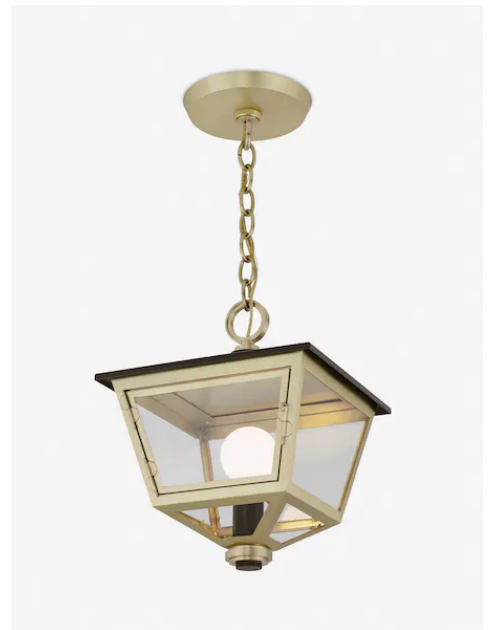


THE URBAN ELECTRIC C^o.



BEDFORD HANG



BEDFORD HANG

REGULAR

UE-2150HR

DIMENSIONS

Width	12.25in
Height	15in

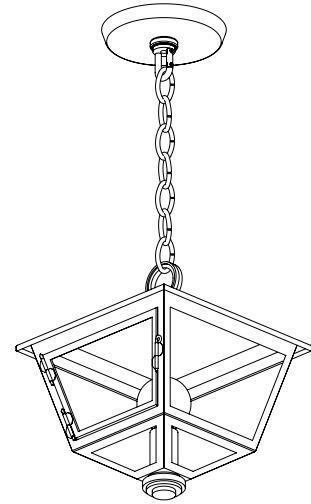
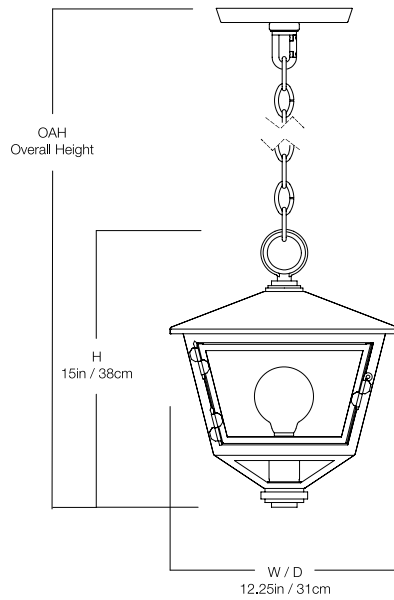
MOUNTING

Recommended Installers	2
Weight	18lbs
Canopy	7.25in dia
Junction Box	4in oct/rnd



LAMP / WIRING

Max Wattage	(1) 60W S
Ships with complimentary LED bulb	



RATING

Suitable for DAMP locations



UL Listed

