

THE URBAN ELECTRIC CO.



BEDFORD PIER



# BEDFORD PIER

LARGE

UE-2150PL

## DIMENSIONS

Width	17.25in
Height	20in
X	7in

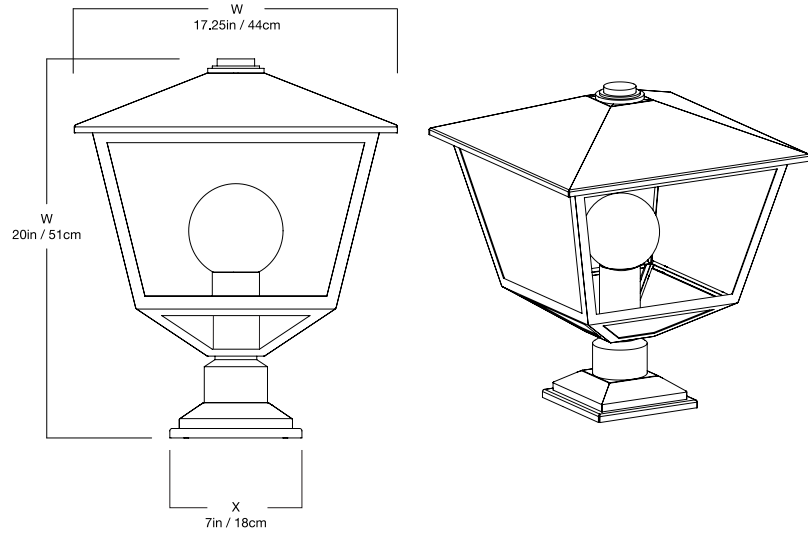
## MOUNTING

Recommended Installers	2
Weight	37lbs
Canopy	7in x 0in
Junction Box	4in oct/rnd



### WARNING: HEAVY

\*Safety cable must attach to building structure.



## LAMP / WIRING

Max Wattage (1) 60W S  
Ships with complimentary LED bulb



## RATING

Suitable for WET locations

UL Listed

