

THE URBAN ELECTRIC C<sup>o</sup>.



BIRSLEY



# BIRSLEY

HANG REGULAR

SG-2129HR

## DIMENSIONS

|        |        |
|--------|--------|
| Width  | 14in   |
| Height | 31.5in |
| X      | 5.25in |

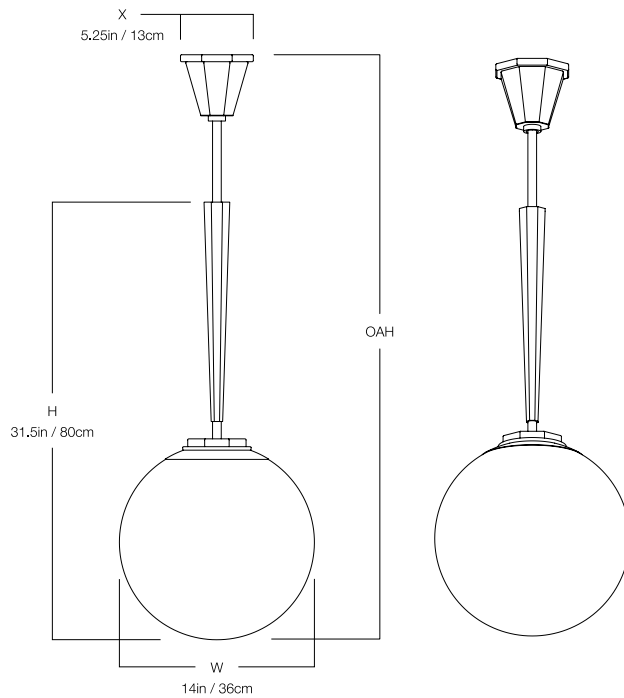
## MOUNTING

|                        |                |
|------------------------|----------------|
| Recommended Installers | 2              |
| Weight                 | 18lbs          |
| Canopy                 | 5.25in x 4.5in |
| Junction Box           | 4in oct/rnd    |



## LAMP / WIRING

|                                   |           |
|-----------------------------------|-----------|
| Max Wattage                       | (1) 60W S |
| Ships with complimentary LED bulb |           |



## RATING

Suitable for DAMP locations

UL Listed

