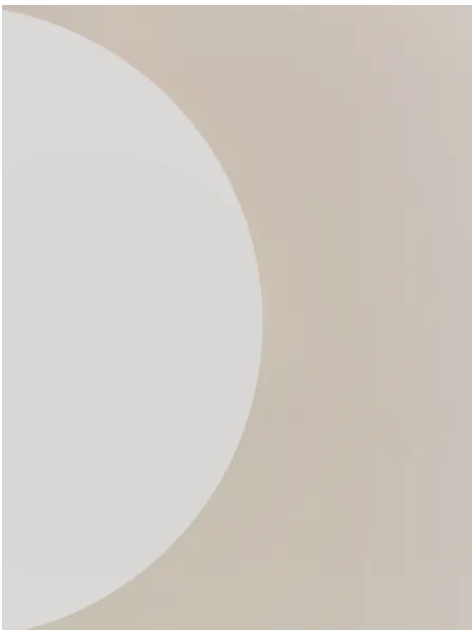


THE URBAN ELECTRIC C^o.



BRIM V.2



BRIM V.2

HANG REGULAR

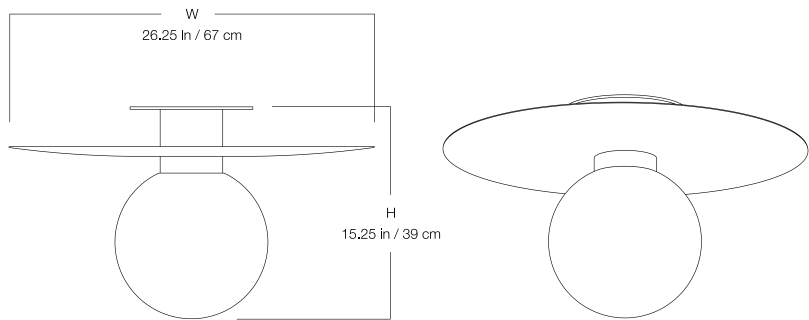
MA-2013HR

DIMENSIONS

Width	26.25in
Height	15.25in
Depth	26.25in

MOUNTING

Recommended Installers	2
Weight	24lbs
Canopy	9in x 0in
Junction Box	4in oct/rnd



LAMP / WIRING

Max Wattage	(1) 60W S
-------------	-----------

Ships with complimentary LED bulb



RATING

Suitable for DAMP locations



UL Listed

