

THE URBAN ELECTRIC C^o.



BURLINGTON



BURLINGTON

WALL LARGE

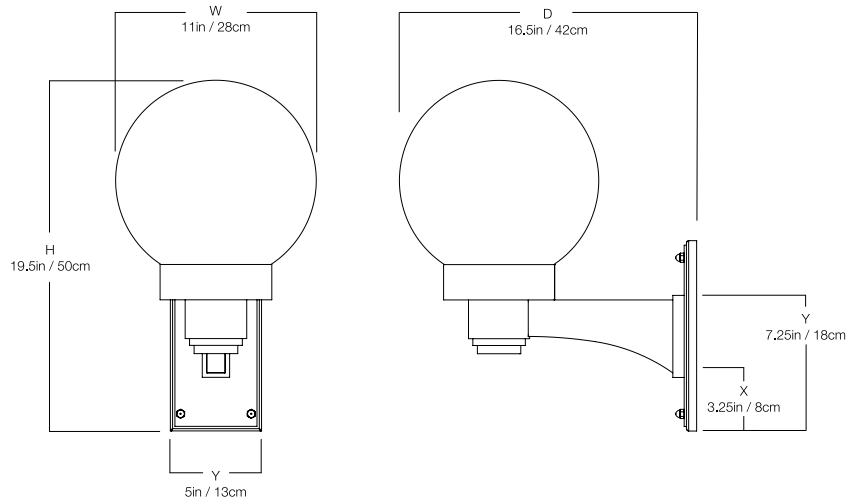
UE-2339WL

DIMENSIONS

Width	11 in
Height	19.5 in
Depth	16.5 in
X	3.25 in
Y	7.25 in

MOUNTING

Recommended Installers	2
Weight	24 lbs
Backplate	5 in x 10.5 in
Junction Box	4 in oct/rnd



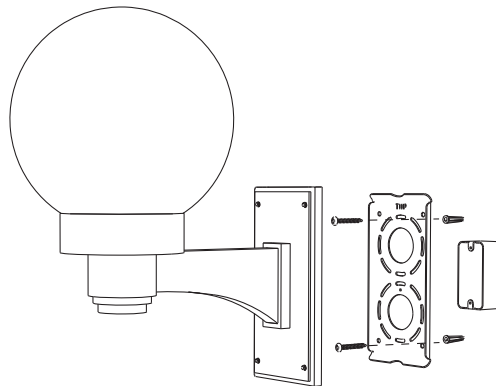
LAMP / WIRING

Max Wattage (1) 60W S
Ships with complimentary LED bulb



RATING

Suitable for DAMP locations
UL Listed



BURLINGTON

WALL REGULAR

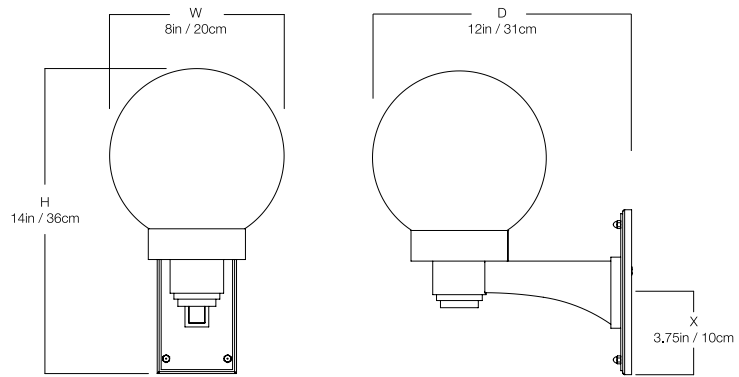
UE-2339WR

DIMENSIONS

Width	8in
Height	14in
Depth	12in
X	3.75in

MOUNTING

Recommended Installers	2
Weight	15lbs
Backplate	4.5in x 7.5in
Junction Box	4in oct/rnd



LAMP / WIRING

Max Wattage	(1) 60W S
-------------	-----------

Ships with complimentary LED bulb



RATING

Suitable for DAMP locations

UL Listed

