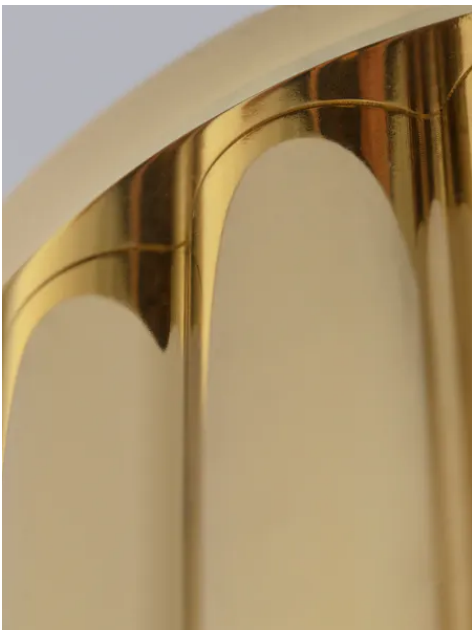


THE URBAN ELECTRIC COMPANY



CAPSE FLUSH



CAPSE FLUSH

HANG REGULAR

MA-1996HR

DIMENSIONS

Width	6.25in
Height	5.75in
X	5in

MOUNTING

Recommended Installers	2
Weight	10lbs
Canopy	6.25in x 0in
Junction Box	4in oct/rnd



LAMP / WIRING

Max Wattage (1) 60W S
Ships with complimentary LED bulb



RATING

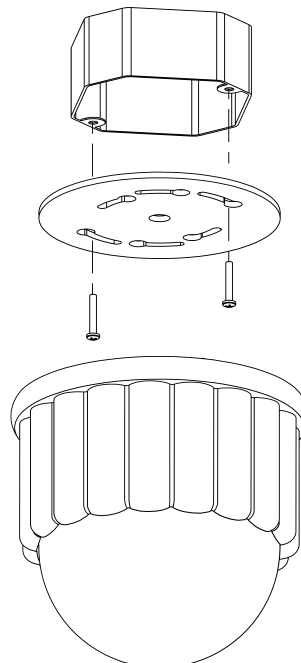
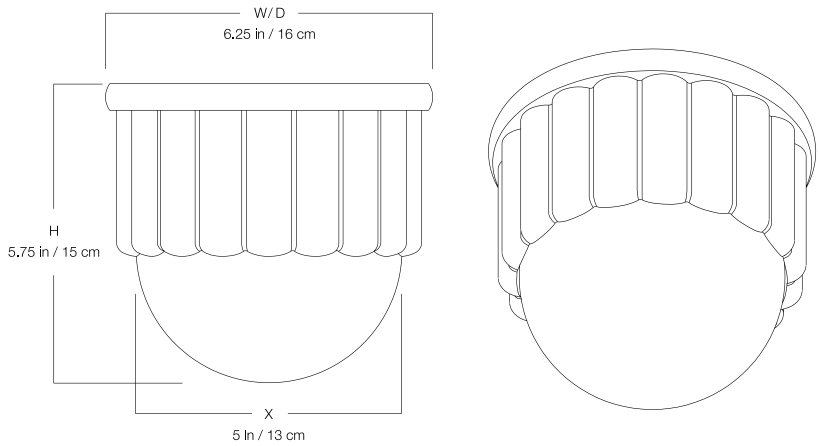
Suitable for DAMP locations



UL Listed

PATENTS

This fixture is Patented with the United States Patent and Trademark Office. Patent No. D962,526 August 30, 2022



CAPSE FLUSH

HANG LARGE

MA-1996HL

DIMENSIONS

Width	12in
Height	9.75in
X	10.75in

MOUNTING

Recommended Installers	2
Weight	14lbs
Canopy	12in x 0in
Junction Box	4in oct/rnd



LAMP / WIRING

Max Wattage (1) 60W S
Ships with complimentary LED bulb



RATING

Suitable for DAMP locations



UL Listed

PATENTS

This fixture is Patented with the United States Patent and Trademark Office. Patent No. D962,526 August 30, 2022

