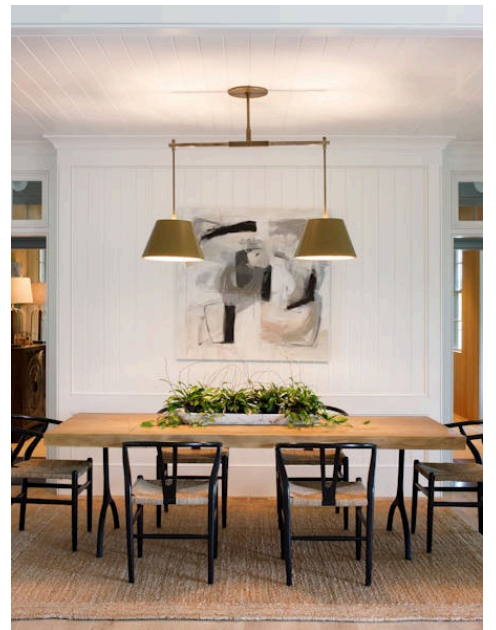


THE URBAN ELECTRIC COMPANY



CHILTERN ON BRACKET



CHILTERN ON BRACKET

HANG LARGE

MA-2006HL

DIMENSIONS

Width	54in
Height	33.25in
Depth	16in
X	30in
Y	9.5in

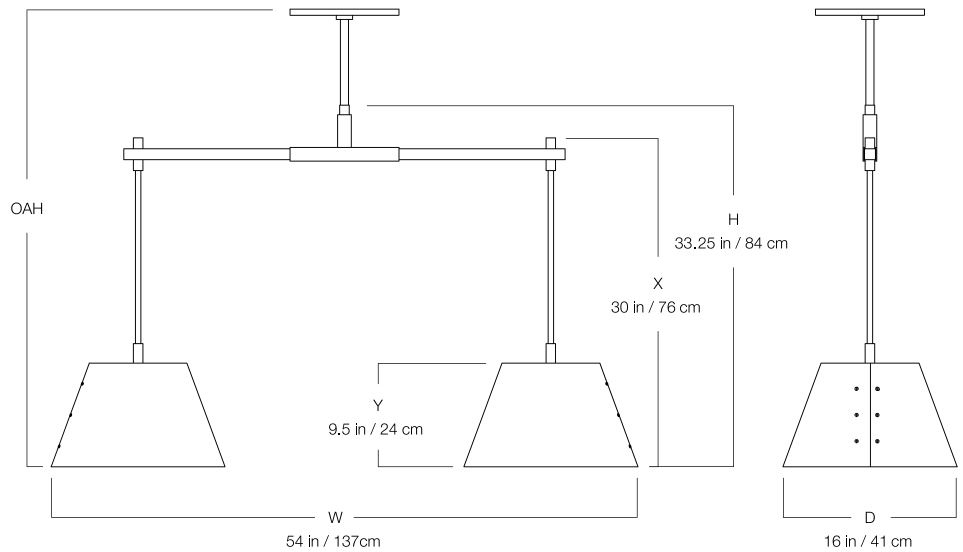
MOUNTING

Recommended Installers	2
Weight	32lbs
Canopy	10in dia
Junction Box	4in oct/rnd



LAMP / WIRING

Max Wattage (4) 60W S
Ships with complimentary LED bulbs



RATING

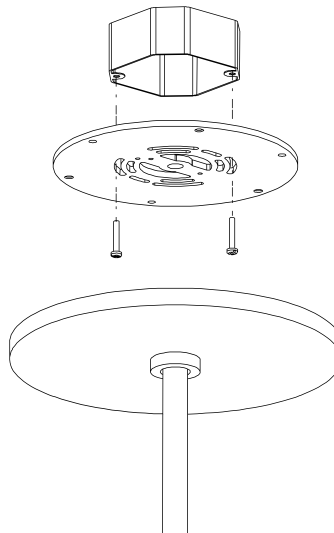
Suitable for DAMP locations



UL Listed

PATENTS

This fixture is Patented with the United States Patent and Trademark Office. Patent No. D950,827 05/03/2022



CHILTERN ON BRACKET

HANG LARGE - FABRIC

MA-2005HL

DIMENSIONS

Width	54.25in
Height	33.25in
Depth	16.25in
X	30in
Y	9.5in

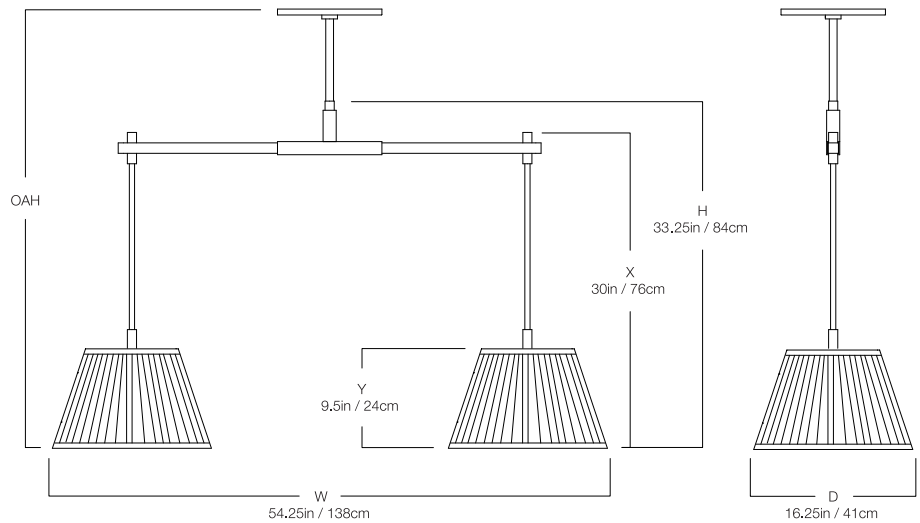
MOUNTING

Recommended Installers	2
Weight	32lbs
Canopy	10in dia
Junction Box	4in oct/rnd



LAMP / WIRING

Max Wattage (4) 60W S
Ships with complimentary LED bulbs

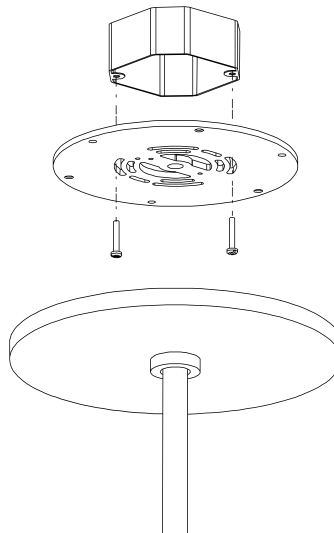


RATING

Suitable for DAMP locations



UL Listed



CHILTERN ON BRACKET

HANG REGULAR

MA-2006HR

DIMENSIONS

Width	44.5in
Height	31.25in
Depth	12in
X	28in
Y	7.5in

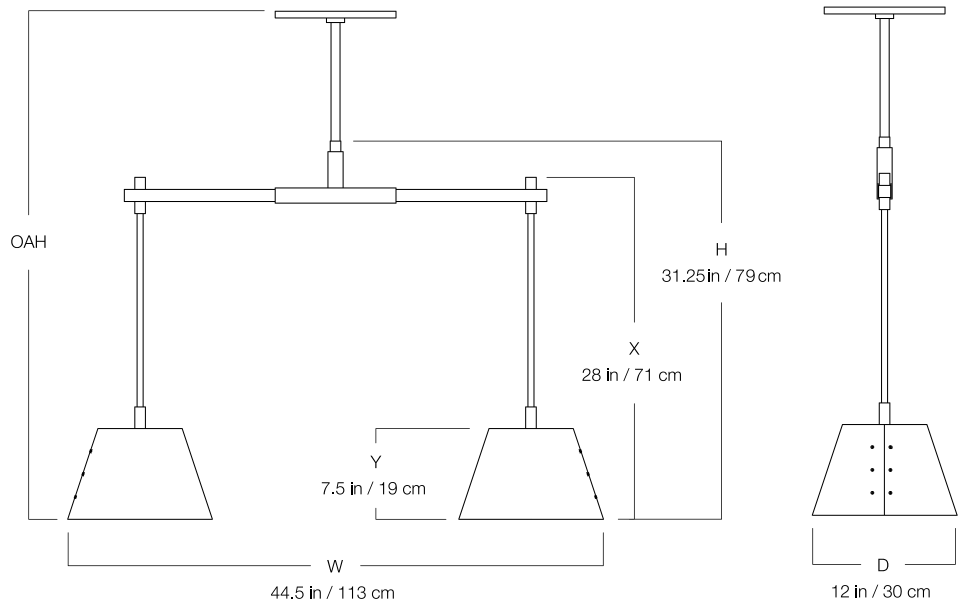
MOUNTING

Recommended Installers	2
Weight	26lbs
Canopy	10in dia
Junction Box	4in oct/rnd



LAMP / WIRING

Max Wattage (4) 60W S
Ships with complimentary LED bulbs



RATING

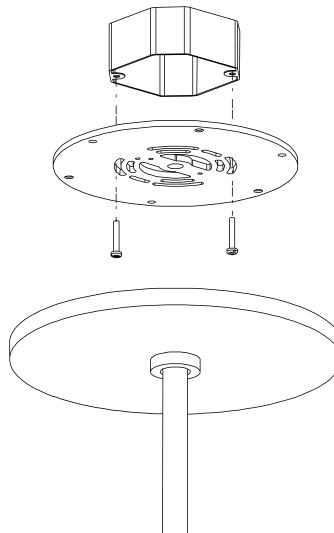
Suitable for DAMP locations



UL Listed

PATENTS

This fixture is Patented with the United States Patent and Trademark Office. Patent No. D950,827 05/03/2022



CHILTERN ON BRACKET

HANG REGULAR - FABRIC

MA-2005HR

DIMENSIONS

Width	45in
Height	31.25in
Depth	12.5in
X	28in
Y	7.5in

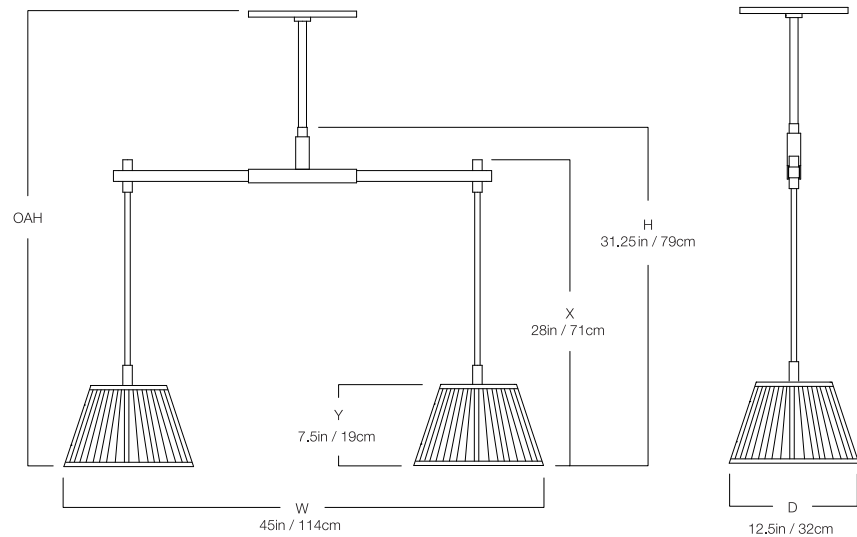
MOUNTING

Recommended Installers	2
Weight	26lbs
Canopy	10in dia
Junction Box	4in oct/rnd



LAMP / WIRING

Max Wattage	(4) 60W S
Ships with complimentary LED bulbs	



RATING

Suitable for DAMP locations



UL Listed

