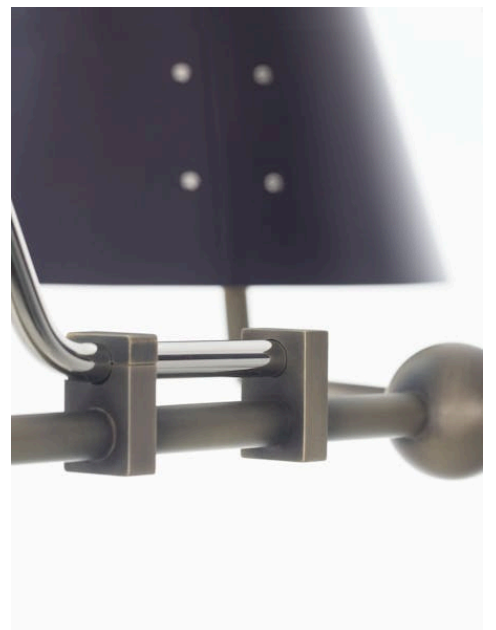


THE URBAN ELECTRIC COMPANY



CHILTERN QUAD



CHILTERN QUAD

HANG SMALL

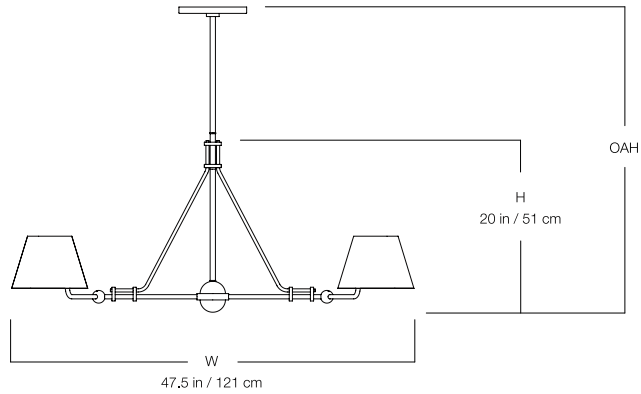
MA-2060HS

DIMENSIONS

Width	47.5in
Height	20in
Depth	29in
X	6.25in
Y	9in

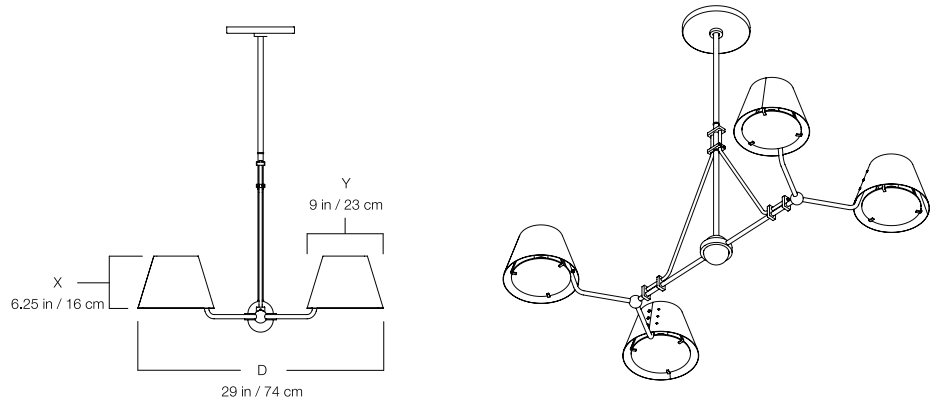
MOUNTING

Recommended Installers	3
Weight	11lbs
Canopy	8in dia
Junction Box	4in oct/rnd



LAMP / WIRING

Max Wattage (4) 60W S
Ships with complimentary LED bulbs



RATING

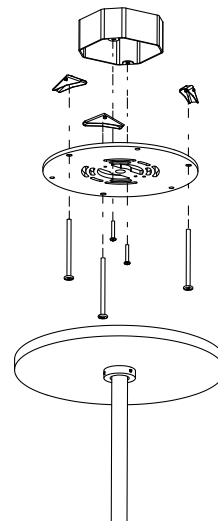
Suitable for DAMP locations



UL Listed

PATENTS

This fixture has been filed with the United States Patent and Trademark Office, U.S. Pat. Pen. (U.S. Appl. No. 29/765,475)



CHILTERN QUAD

HANG SMALL - FABRIC

MA-2059HS

DIMENSIONS

Width	48in
Height	20in
Depth	29.75in
X	6.5in
Y	9.5in

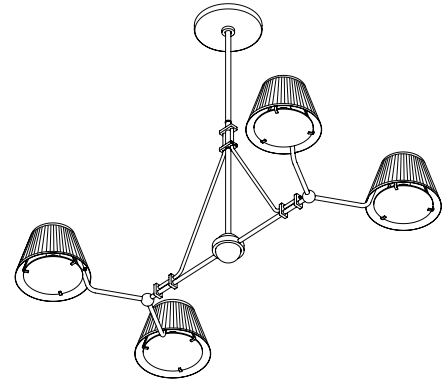
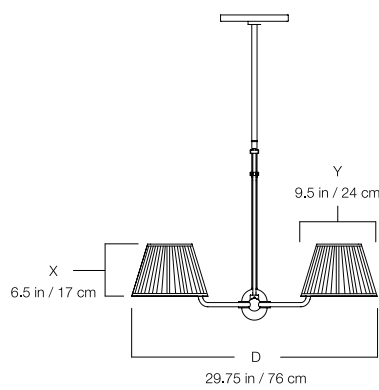
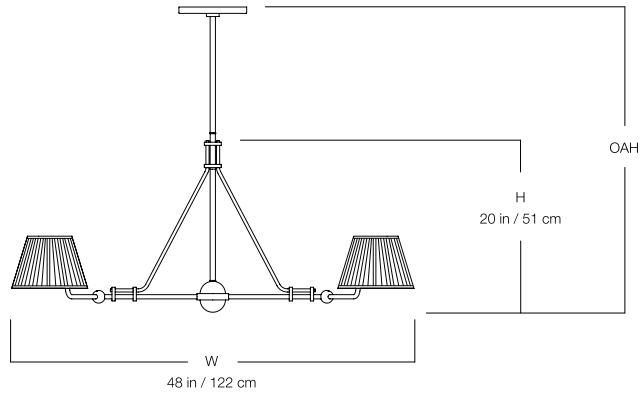
MOUNTING

Recommended Installers	3
Weight	24lbs
Canopy	8in dia
Junction Box	4in oct/rnd



LAMP / WIRING

Max Wattage (4) 60W S
Ships with complimentary LED bulbs



RATING

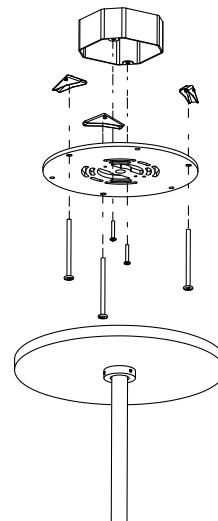
Suitable for DAMP locations



UL Listed

PATENTS

This fixture has been filed with the United States Patent and Trademark Office, U.S. Pat. Pen. (U.S. Appl. No. 29/765,475)



CHILTERN QUAD

HANG REGULAR

MA-2060HR

DIMENSIONS

Width	63in
Height	26in
Depth	38.5in
X	7.5in
Y	12in

MOUNTING

Recommended Installers	3
Weight	39lbs
Canopy	10in dia
Junction Box	4in oct/rnd



WARNING: HEAVY

*Safety cable must attach to building structure.

LAMP / WIRING

Max Wattage (4) 60W S

Ships with complimentary LED bulbs



RATING

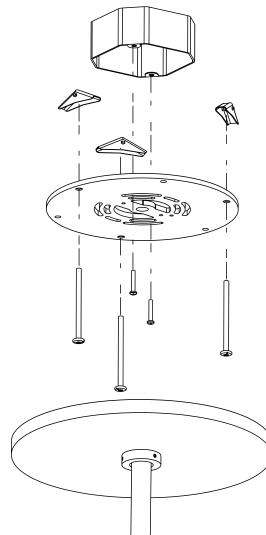
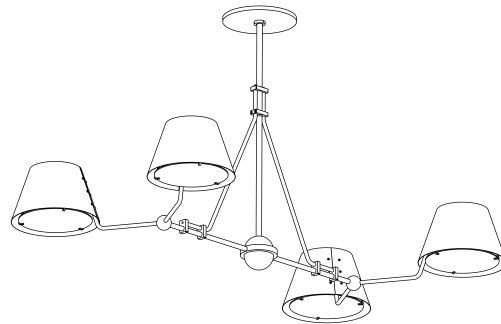
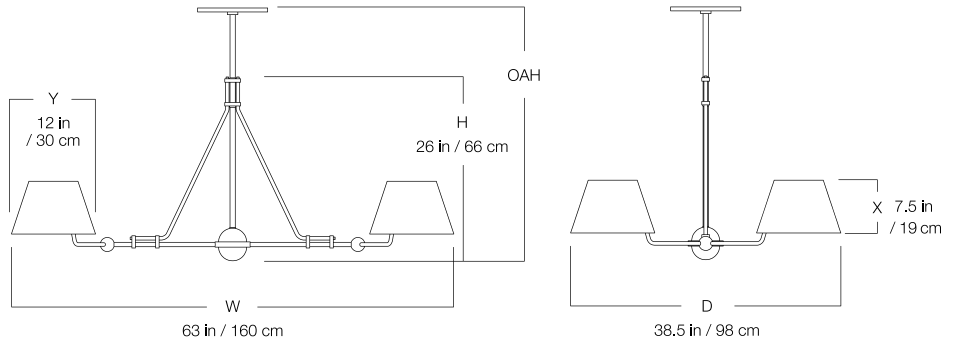
Suitable for DAMP locations



UL Listed

PATENTS

This fixture has been filed with the United States Patent and Trademark Office, U.S. Pat. Pen. (U.S. Appl. No. 29/765,475)



CHILTERN QUAD

HANG REGULAR - FABRIC

MA-2059HR

DIMENSIONS

Width	63.5in
Height	26in
Depth	38.5in
X	7.5in
Y	12in

MOUNTING

Recommended Installers	3
Weight	39lbs
Canopy	10in dia
Junction Box	4in oct/rnd



WARNING: HEAVY

*Safety cable must attach to building structure.

LAMP / WIRING

Max Wattage (4) 60W S

Ships with complimentary LED bulbs



RATING

Suitable for DAMP locations



UL Listed

