

THE URBAN ELECTRIC COMPANY



CHISHOLM HALL



# CHISHOLM HALL

HANG SMALL

MA-8484HS

## DIMENSIONS

|        |        |
|--------|--------|
| Width  | 14in   |
| Height | 26.5in |
| X      | 12.5in |

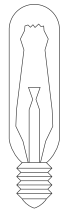
## MOUNTING

|                        |             |
|------------------------|-------------|
| Recommended Installers | 3           |
| Weight                 | 24lbs       |
| Canopy                 | 6in x 6in   |
| Junction Box           | 4in oct/rnd |



## LAMP / WIRING

Max Wattage (4) 60W C  
Ships with complimentary LED bulbs

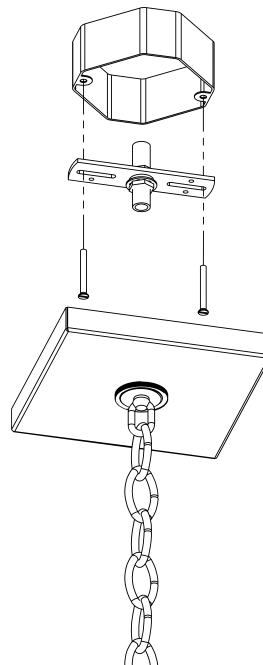
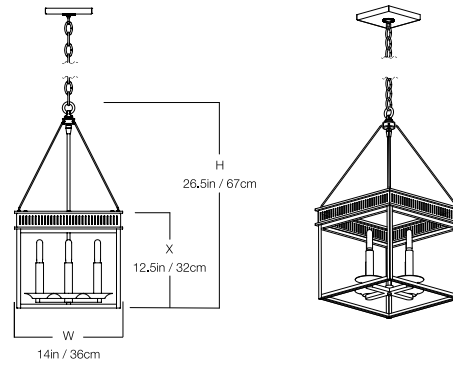


## RATING

Suitable for DAMP locations



UL Listed



# CHISHOLM HALL

HANG SMALL - REDUCED HEIGHT

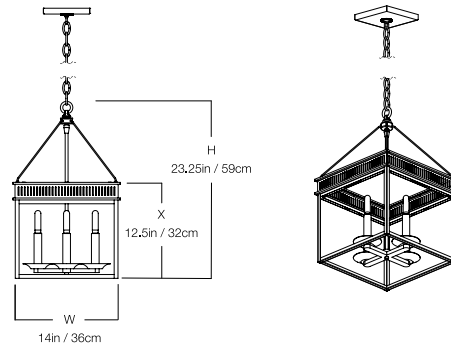
MA-8483HS

## DIMENSIONS

|        |         |
|--------|---------|
| Width  | 14in    |
| Height | 23.25in |
| X      | 12.75in |

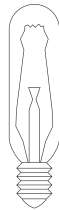
## MOUNTING

|                        |             |
|------------------------|-------------|
| Recommended Installers | 3           |
| Weight                 | 24lbs       |
| Canopy                 | 6in x 6in   |
| Junction Box           | 4in oct/rnd |



## LAMP / WIRING

|                                    |           |
|------------------------------------|-----------|
| Max Wattage                        | (4) 60W C |
| Ships with complimentary LED bulbs |           |

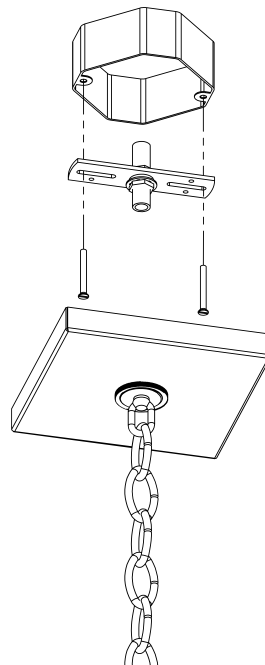


## RATING

Suitable for DAMP locations



UL Listed



# CHISHOLM HALL

HANG SMALL - MINIMUM HEIGHT

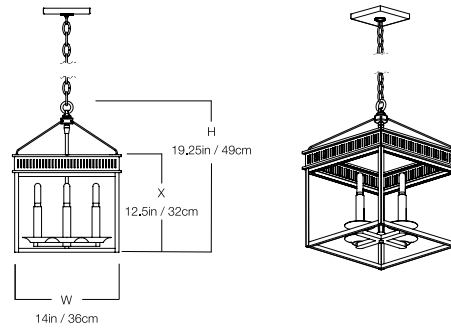
MA-8482HS

## DIMENSIONS

|        |         |
|--------|---------|
| Width  | 14in    |
| Height | 19.25in |
| X      | 12.75in |

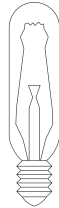
## MOUNTING

|                        |             |
|------------------------|-------------|
| Recommended Installers | 3           |
| Weight                 | 24lbs       |
| Canopy                 | 6in x 6in   |
| Junction Box           | 4in oct/rnd |



## LAMP / WIRING

|                                    |           |
|------------------------------------|-----------|
| Max Wattage                        | (4) 60W C |
| Ships with complimentary LED bulbs |           |

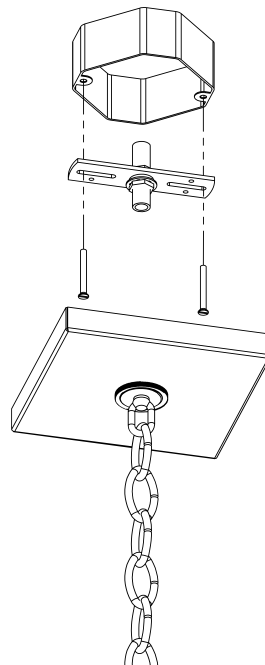


## RATING

Suitable for DAMP locations



UL Listed



# CHISHOLM HALL

HANG REGULAR

MA-8484HR

## DIMENSIONS

|        |         |
|--------|---------|
| Width  | 16.75in |
| Height | 32in    |
| X      | 15in    |

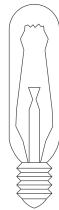
## MOUNTING

|                        |             |
|------------------------|-------------|
| Recommended Installers | 3           |
| Weight                 | 28lbs       |
| Canopy                 | 6in x 6in   |
| Junction Box           | 4in oct/rnd |



## LAMP / WIRING

Max Wattage (4) 60W C  
Ships with complimentary LED bulbs

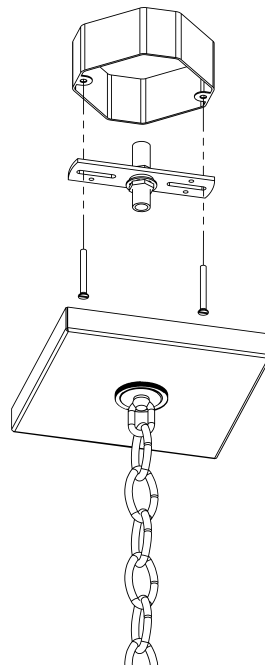
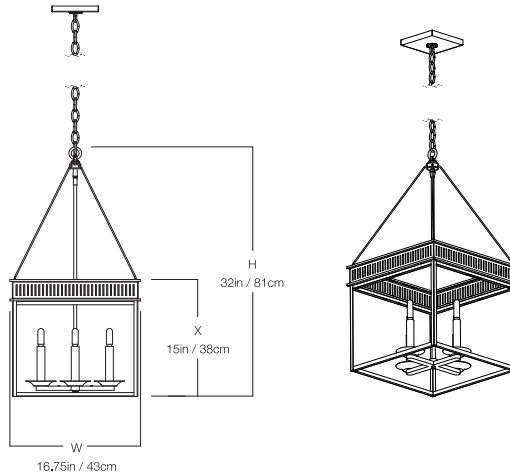


## RATING

Suitable for DAMP locations



UL Listed



# CHISHOLM HALL

HANG REGULAR - REDUCED HEIGHT

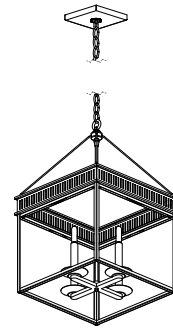
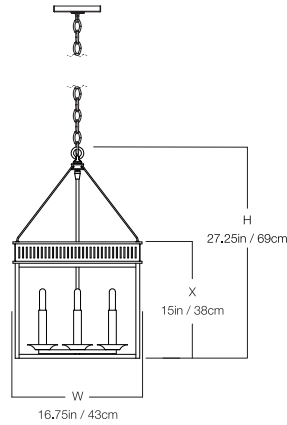
MA-8483HR

## DIMENSIONS

|        |         |
|--------|---------|
| Width  | 16.75in |
| Height | 27.25in |
| X      | 15in    |

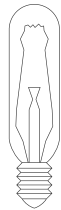
## MOUNTING

|                        |             |
|------------------------|-------------|
| Recommended Installers | 3           |
| Weight                 | 29lbs       |
| Canopy                 | 6in x 6in   |
| Junction Box           | 4in oct/rnd |



## LAMP / WIRING

Max Wattage (4) 60W C  
Ships with complimentary LED bulbs

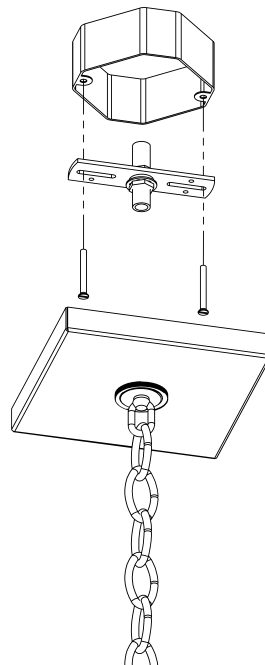


## RATING

Suitable for DAMP locations



UL Listed



# CHISHOLM HALL

HANG REGULAR - MINIMUM HEIGHT

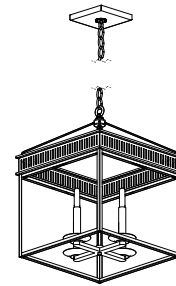
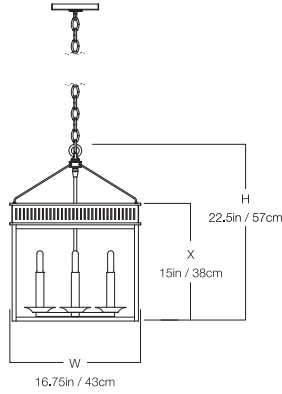
MA-8482HR

## DIMENSIONS

|        |         |
|--------|---------|
| Width  | 16.75in |
| Height | 22.5in  |
| X      | 15in    |

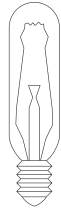
## MOUNTING

|                        |             |
|------------------------|-------------|
| Recommended Installers | 3           |
| Weight                 | 29lbs       |
| Canopy                 | 6in x 6in   |
| Junction Box           | 4in oct/rnd |



## LAMP / WIRING

Max Wattage (4) 60W C  
Ships with complimentary LED bulbs

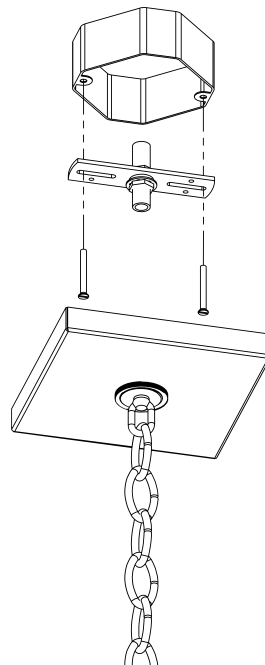


## RATING

Suitable for DAMP locations



UL Listed



# CHISHOLM HALL

HANG LARGE

MA-8484HL

## DIMENSIONS

|        |         |
|--------|---------|
| Width  | 22in    |
| Height | 42in    |
| X      | 19.75in |

## MOUNTING

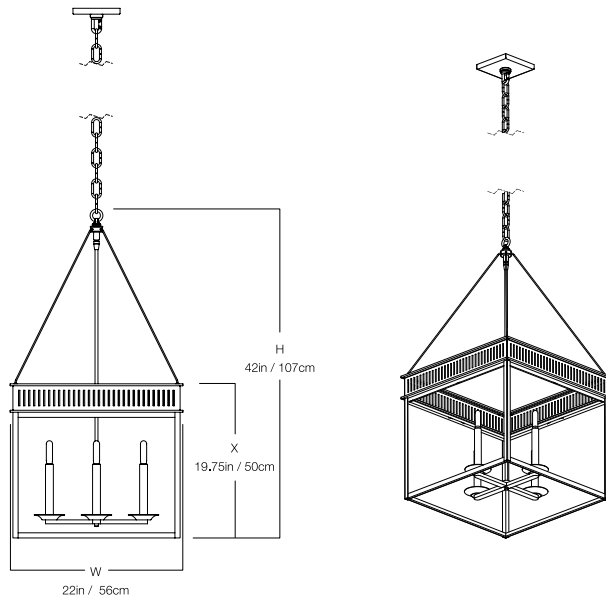
|                        |             |
|------------------------|-------------|
| Recommended Installers | 3           |
| Weight                 | 52lbs       |
| Canopy                 | 6in x 6in   |
| Junction Box           | 4in oct/rnd |



### WARNING: HEAVY

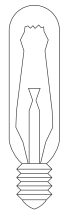
\*Safety cable must attach to building structure.

\*Appropriately rated, heavy duty junction box required.



## LAMP / WIRING

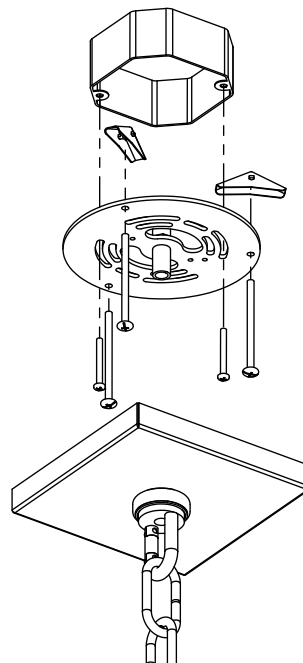
Max Wattage (4) 60W C  
Ships with complimentary LED bulbs



## RATING

Suitable for DAMP locations

UL Listed





# CHISHOLM HALL

HANG LARGE - REDUCED HEIGHT

MA-8483HL

## DIMENSIONS

|        |         |
|--------|---------|
| Width  | 22in    |
| Height | 35.5in  |
| X      | 19.75in |

## MOUNTING

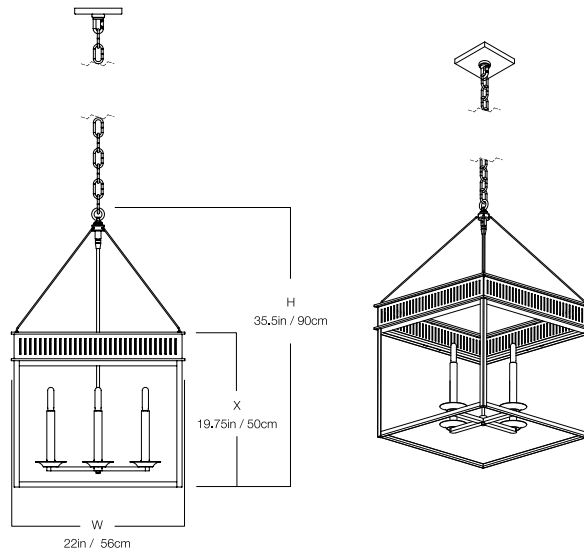
|                        |             |
|------------------------|-------------|
| Recommended Installers | 3           |
| Weight                 | 52lbs       |
| Canopy                 | 6in x 6in   |
| Junction Box           | 4in oct/rnd |



### WARNING: HEAVY

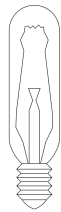
\*Safety cable must attach to building structure.

\*Appropriately rated, heavy duty junction box required.



## LAMP / WIRING

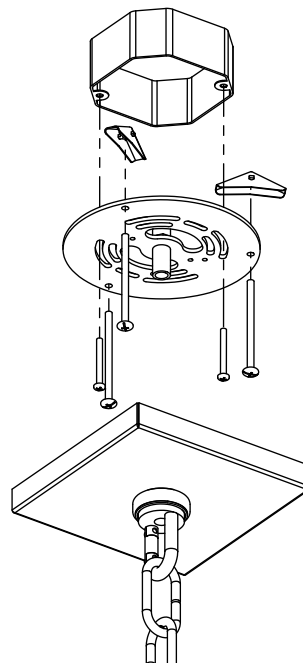
Max Wattage (4) 60W C  
Ships with complimentary LED bulbs



## RATING

Suitable for DAMP locations

UL Listed



# CHISHOLM HALL

HANG LARGE - MINIMUM HEIGHT

MA-8482HL

## DIMENSIONS

|        |         |
|--------|---------|
| Width  | 22in    |
| Height | 28.75in |
| X      | 19.75in |

## MOUNTING

|                        |             |
|------------------------|-------------|
| Recommended Installers | 3           |
| Weight                 | 52lbs       |
| Canopy                 | 6in x 6in   |
| Junction Box           | 4in oct/rnd |



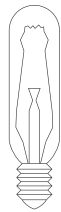
### WARNING: HEAVY

\*Safety cable must attach to building structure.

\*Appropriately rated, heavy duty junction box required.

## LAMP / WIRING

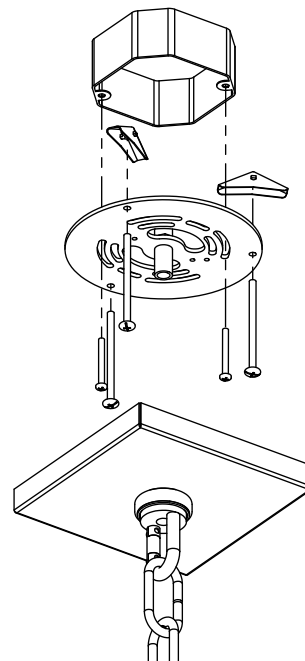
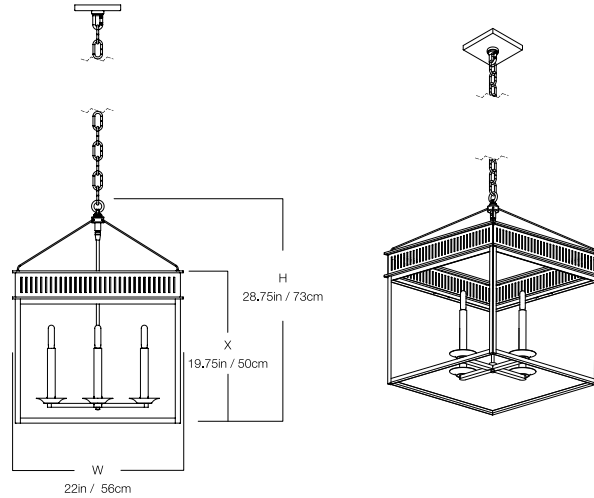
Max Wattage (4) 60W C  
Ships with complimentary LED bulbs



## RATING

Suitable for DAMP locations

UL Listed



# CHISHOLM HALL

HANG GRANDE

MA-8484HG

## DIMENSIONS

|        |         |
|--------|---------|
| Width  | 27in    |
| Height | 51.5in  |
| X      | 24.25in |

## MOUNTING

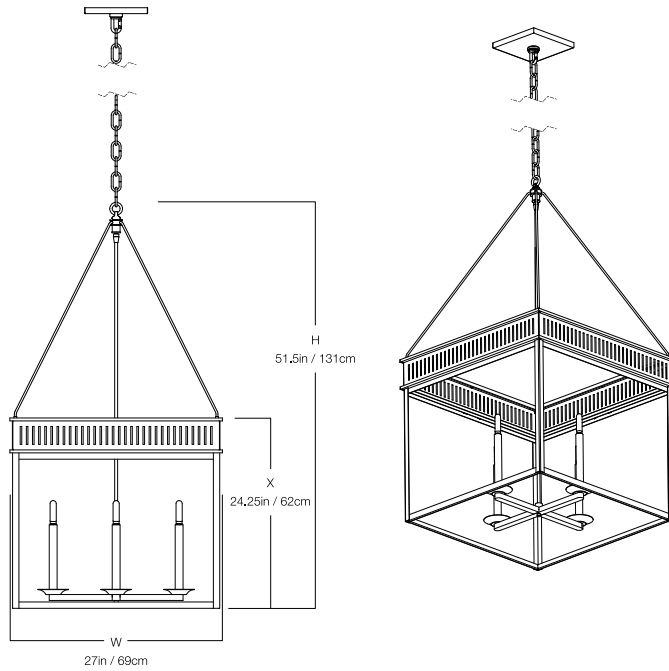
|                        |             |
|------------------------|-------------|
| Recommended Installers | 3           |
| Weight                 | 82lbs       |
| Canopy                 | 8in x 8in   |
| Junction Box           | 4in oct/rnd |



### WARNING: HEAVY

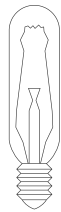
\*Safety cable must attach to building structure.

\*Appropriately rated, heavy duty junction box required.



## LAMP / WIRING

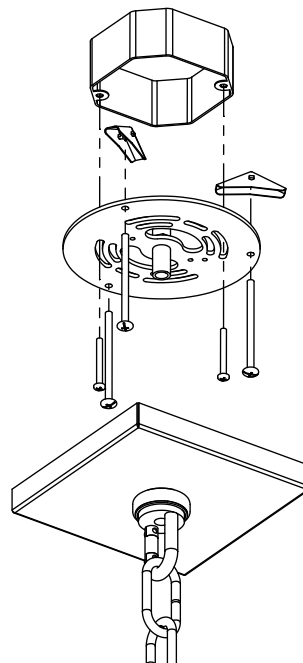
Max Wattage (4) 60W C  
Ships with complimentary LED bulbs



## RATING

Suitable for DAMP locations

UL Listed



# CHISHOLM HALL

HANG GRANDE - REDUCED HEIGHT

MA-8483HG

## DIMENSIONS

|        |         |
|--------|---------|
| Width  | 27in    |
| Height | 43.25in |
| X      | 24.25in |

## MOUNTING

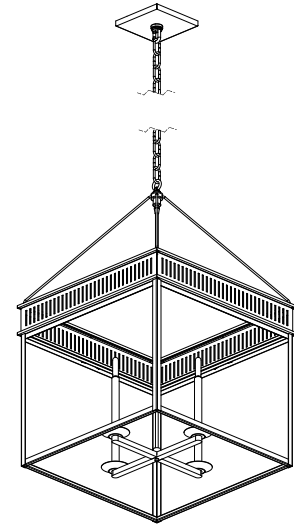
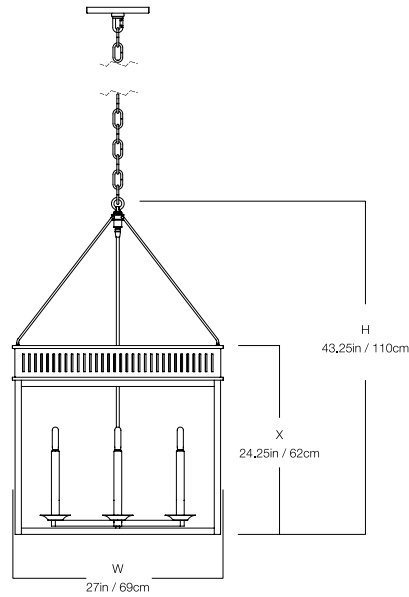
|                        |             |
|------------------------|-------------|
| Recommended Installers | 3           |
| Weight                 | 81 lbs      |
| Canopy                 | 8in x 8in   |
| Junction Box           | 4in oct/rnd |



### WARNING: HEAVY

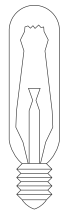
\*Safety cable must attach to building structure.

\*Appropriately rated, heavy duty junction box required.



## LAMP / WIRING

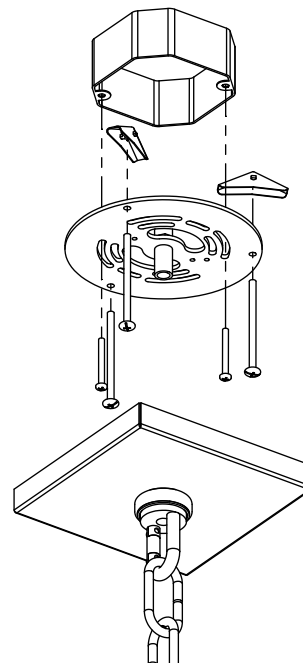
Max Wattage (4) 60W C  
Ships with complimentary LED bulbs



## RATING

Suitable for DAMP locations

UL Listed



# CHISHOLM HALL

HANG GRANDE - MINIMUM HEIGHT

MA-8482HG

## DIMENSIONS

|        |         |
|--------|---------|
| Width  | 27in    |
| Height | 35in    |
| X      | 24.25in |

## MOUNTING

|                        |             |
|------------------------|-------------|
| Recommended Installers | 3           |
| Weight                 | 81 lbs      |
| Canopy                 | 8in x 8in   |
| Junction Box           | 4in oct/rnd |



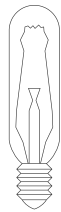
### WARNING: HEAVY

\*Safety cable must attach to building structure.

\*Appropriately rated, heavy duty junction box required.

## LAMP / WIRING

Max Wattage (4) 60W C  
Ships with complimentary LED bulbs



## RATING

Suitable for DAMP locations

UL Listed

