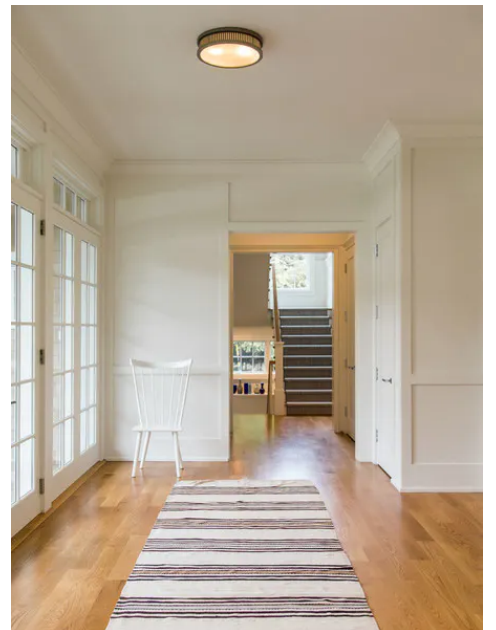


THE URBAN ELECTRIC CO.



CHISHOLM PASSAGE ROUND



CHISHOLM PASSAGE ROUND

HANG REGULAR

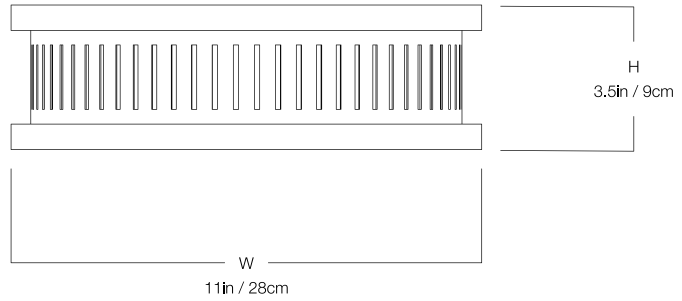
MA-1288HR

DIMENSIONS

Width 11 in
Height 3.5 in

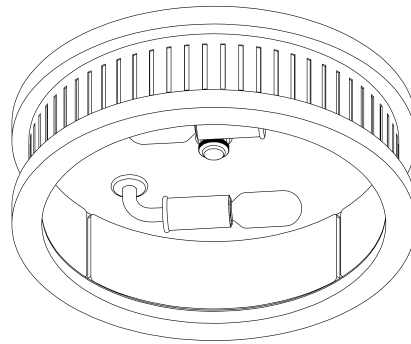
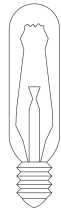
MOUNTING

Recommended Installers 1
Weight 10 lbs
Canopy 11 in dia
Junction Box 4 in oct/rnd



LAMP / WIRING

Max Wattage (2) 60W C
Ships with complimentary LED bulbs

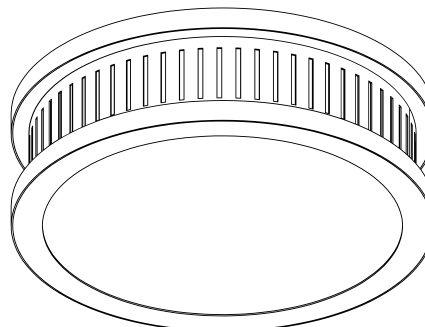
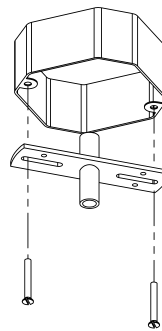


RATING

Suitable for DAMP locations



UL Listed



CHISHOLM PASSAGE ROUND

HANG LARGE

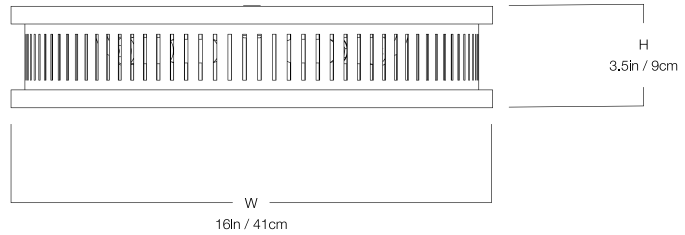
MA-1288HL

DIMENSIONS

Width	16in
Height	3.5in

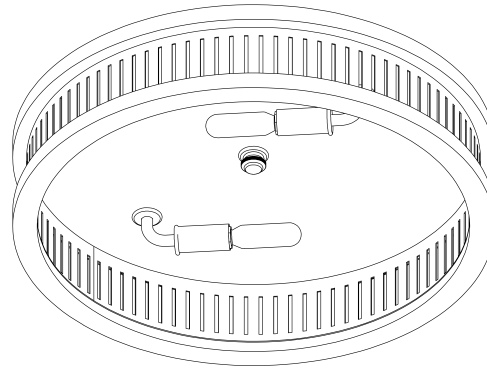
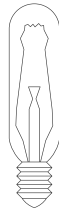
MOUNTING

Recommended Installers	1
Weight	17lbs
Canopy	16in dia
Junction Box	4in oct/rnd



LAMP / WIRING

Max Wattage	(2) 60W C
Ships with complimentary LED bulbs	



RATING

Suitable for DAMP locations

UL Listed

