

THE URBAN ELECTRIC C^o.



CHISHOLM PASSAGE SQUARE



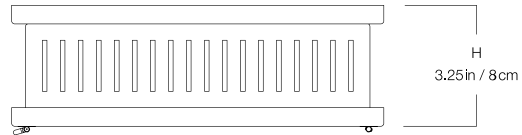
CHISHOLM PASSAGE SQUARE

HANG REGULAR

MA-8488HR

DIMENSIONS

Width	10in
Height	3.25in
Depth	10in



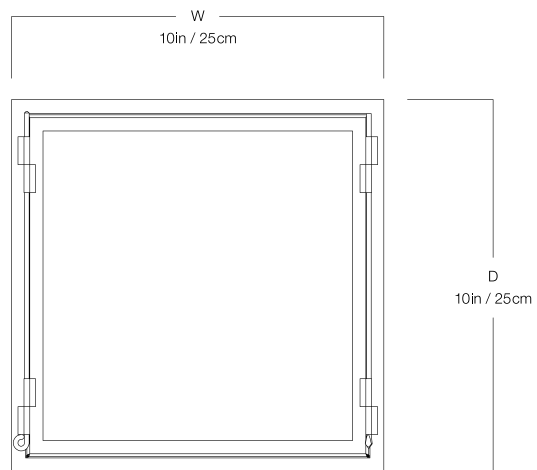
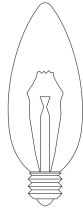
MOUNTING

Recommended Installers	1
Weight	6lbs
Backplate	10in x 10in
Junction Box	4in oct/rnd



LAMP / WIRING

Max Wattage	(2) 60W C
Ships with complimentary LED bulbs	



RATING

Suitable for DAMP locations



UL Listed

