

THE URBAN ELECTRIC C<sup>o</sup>.



CROWN



# CROWN

HANG REGULAR

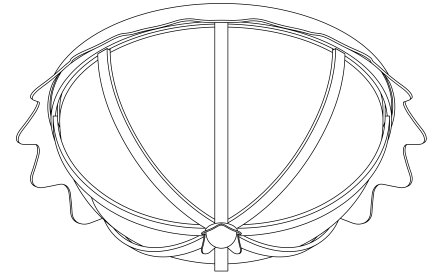
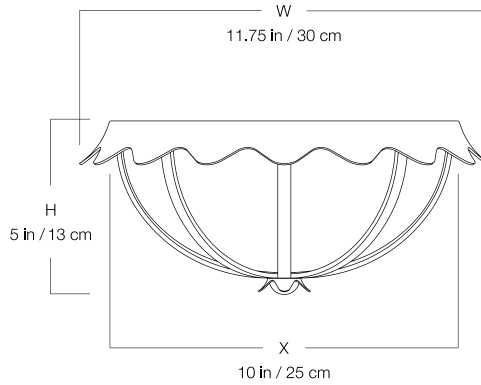
KF-2052HR

## DIMENSIONS

Width	11.75in
Height	5in
Depth	11.75in
X	10in

## MOUNTING

Recommended Installers	2
Weight	9lbs
Canopy	10in dia
Junction Box	4in oct/rnd



## LAMP / WIRING

Max Wattage (2) 40W C

Ships with complimentary incandescent bulbs



## RATING

Suitable for DAMP locations

UL Listed

