

THE URBAN ELECTRIC COMPANY



DAUPHINE WALL



DAUPHINE WALL

SMALL

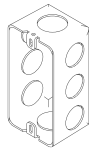
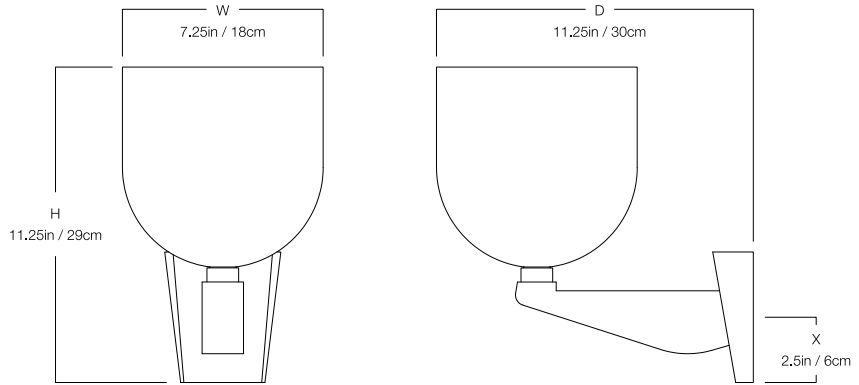
UE-2146WS

DIMENSIONS

Width	7.25in
Height	11.25in
Depth	11.25in
X	2.5in

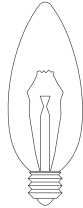
MOUNTING

Recommended Installers	1
Weight	5lbs
Backplate	4.25in x 4.75in
Junction Box	2in x 4in rect



LAMP / WIRING

Max Wattage (1) 60W C
Ships with complimentary LED bulb



RATING

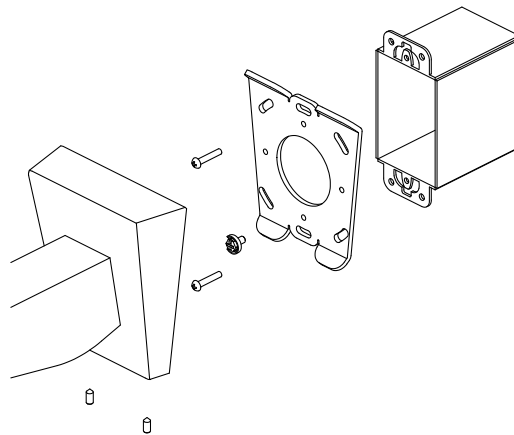
Suitable for DAMP locations



UL Listed

PATENTS

This fixture has been filed with the United States Patent and Trademark Office, U.S. Pat. Pen. (U.S. Appl. No. 29/843,427)



DAUPHINE WALL

REGULAR

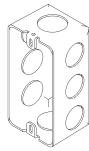
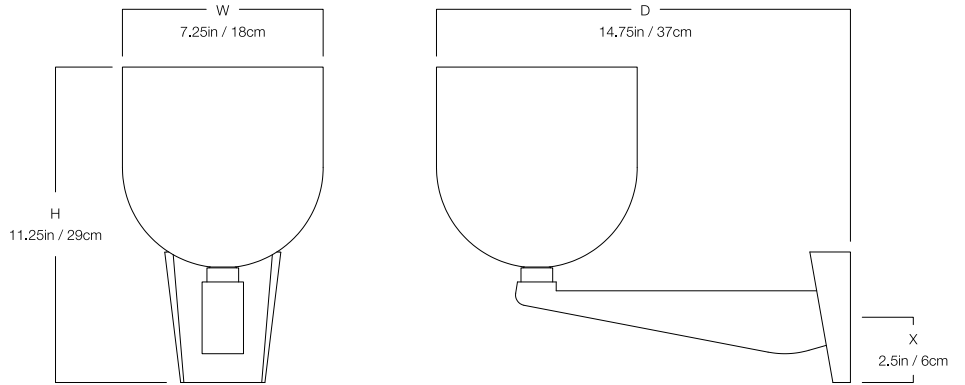
UE-2146WR

DIMENSIONS

Width	7.25in
Height	11.25in
Depth	14.75in
X	2.5in

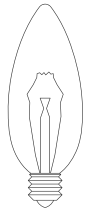
MOUNTING

Recommended Installers	1
Weight	6lbs
Backplate	4.25in x 4.75in
Junction Box	2in x 4in rect



LAMP / WIRING

Max Wattage (1) 60W C
Ships with complimentary LED bulb



RATING

Suitable for DAMP locations



UL Listed

PATENTS

This fixture has been filed with the United States Patent and Trademark Office, U.S. Pat. Pen. (U.S. Appl. No. 29/843,425)

