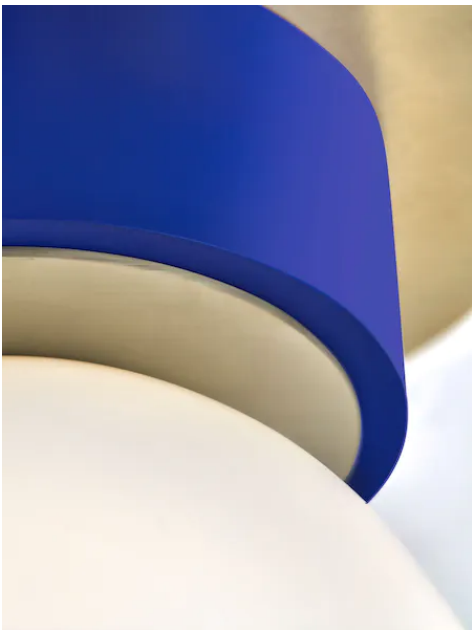


THE URBAN ELECTRIC C^o.



DERBY



DERBY

HANG REGULAR

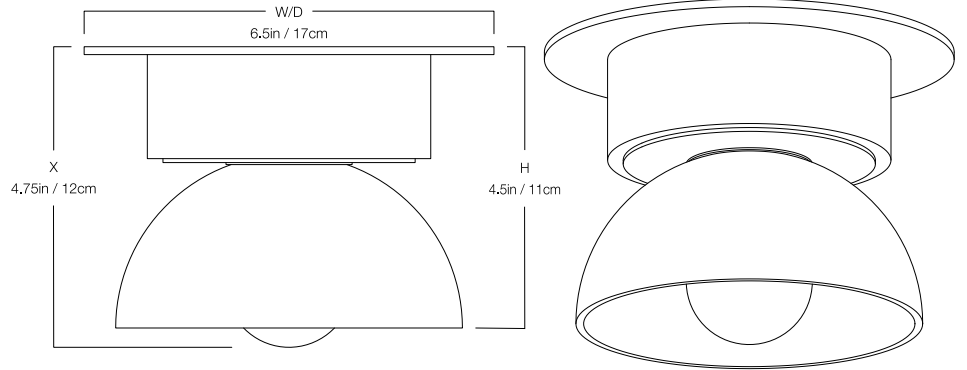
MA-2068HR

DIMENSIONS

Width	6.5in
Height	4.5in
Depth	6.5in
X	4.75in

MOUNTING

Recommended Installers	1
Weight	6lbs
Canopy	6.5in dia
Junction Box	4in oct/rnd



LAMP / WIRING

Max Wattage	(1) 60W S
-------------	-----------

Ships with complimentary LED bulb



RATING

Suitable for DAMP locations



UL Listed

