

THE URBAN ELECTRIC C^o.



DUOMO WALL



DUOMO WALL

REGULAR

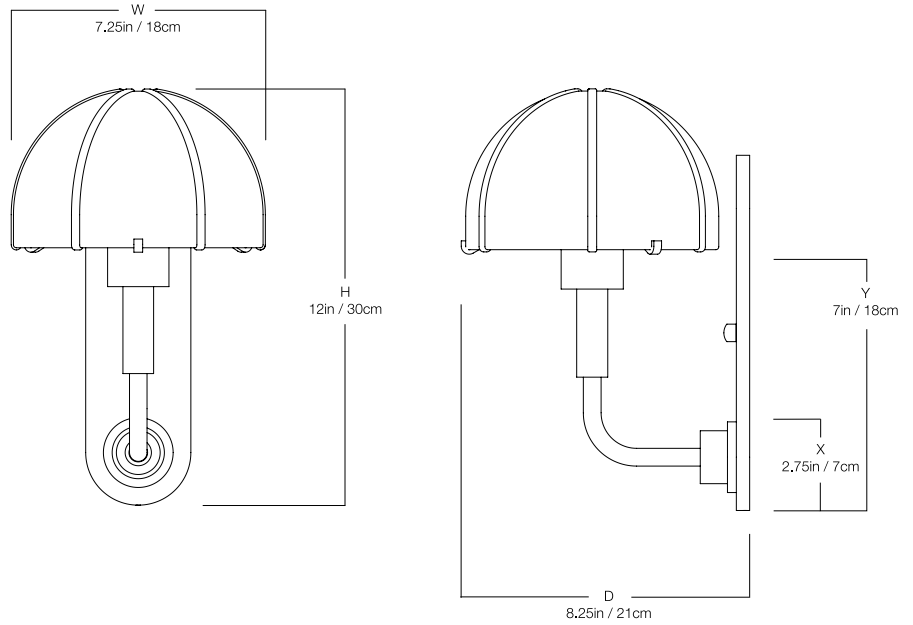
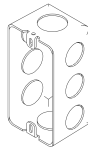
UE-2246WR

DIMENSIONS

Width	7.25in
Height	12in
Depth	8.25in
X	2.75in
Y	7in

MOUNTING

Recommended Installers	1
Weight	5lbs
Backplate	3in x 10in
Junction Box	2in x 4in rect



LAMP / WIRING

Max Wattage (1) 60W S
Ships with complimentary LED bulb



RATING

Suitable for DAMP locations

UL Listed

