

THE URBAN ELECTRIC C<sup>o</sup>.



EDGEMONT



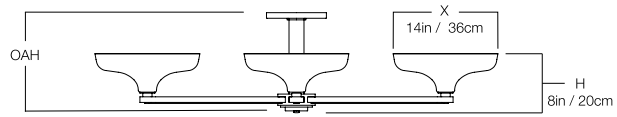
# EDGEMONT

HANG REGULAR

SG-2132HR

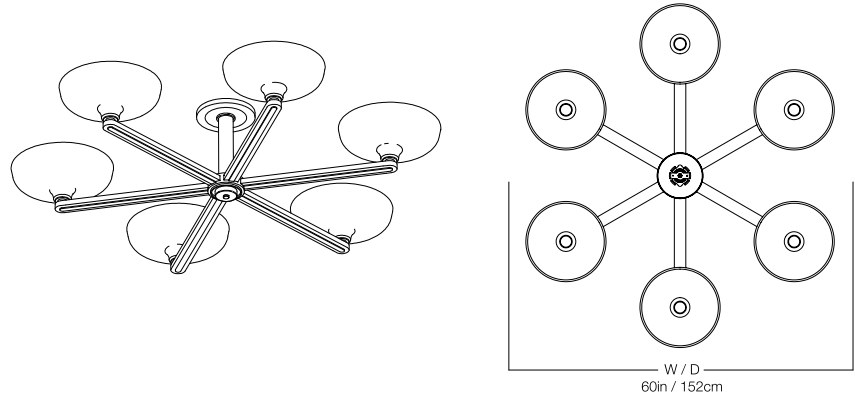
## DIMENSIONS

Width	60in
Height	8in
Depth	60in
X	14in



## MOUNTING

Recommended Installers	3
Weight	63lbs
Canopy	8in dia
Junction Box	4in oct/rnd



### WARNING: HEAVY

\*Safety cable must attach to building structure.

\*Appropriately rated, heavy duty junction box required.

## LAMP / WIRING

Max Wattage (6) 60W C  
Ships with complimentary LED bulbs

## RATING

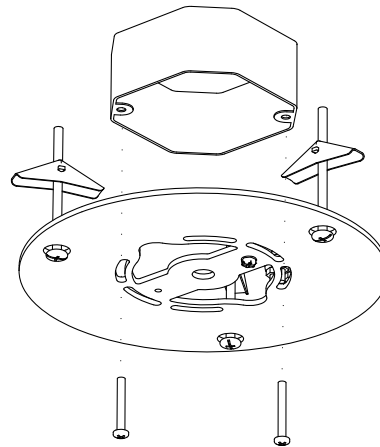
Suitable for DAMP locations



UL Listed

## PATENTS

This fixture has been filed with the United States Patent and Trademark Office, U.S. Pat. Pen. (U.S. Appl. No. 29/837,560)



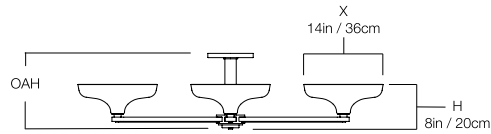
# EDGEMONT

HANG SMALL

SG-2132HS

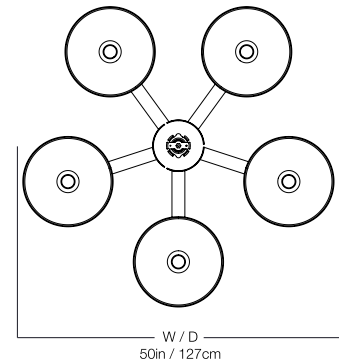
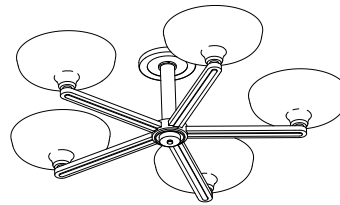
## DIMENSIONS

Width	50in
Height	8in
Depth	50in
X	14in



## MOUNTING

Recommended Installers	2
Weight	51 lbs
Canopy	8in dia
Junction Box	4in oct/rnd



## WARNING: HEAVY

\*Safety cable must attach to building structure.

\*Appropriately rated, heavy duty junction box required.

## LAMP / WIRING

Max Wattage (5) 60W C  
Ships with complimentary LED bulbs

## RATING

Suitable for DAMP locations

UL Listed



## PATENTS

This fixture has been filed with the United States Patent and Trademark Office, U.S. Pat. Pen. (U.S. Appl. No. 29/837,562)

