

THE URBAN ELECTRIC C^o.



EDINA V.2



EDINA V.2

WALL REGULAR

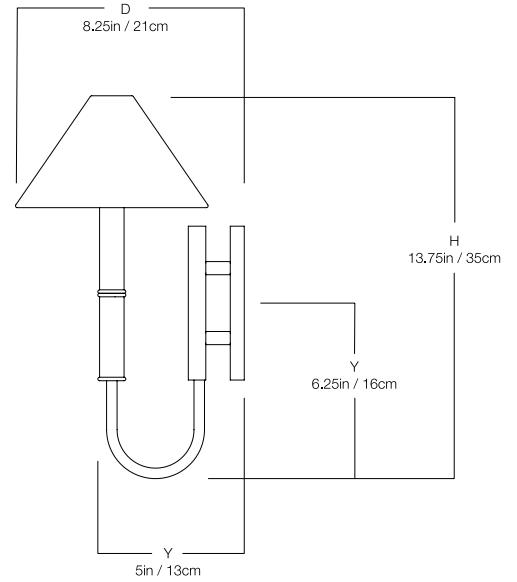
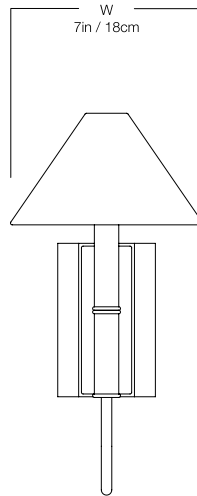
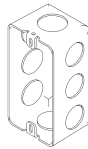
MA-9481WR

DIMENSIONS

Width	7in
Height	13.75in
Depth	8.25in
X	5in
Y	6.25in

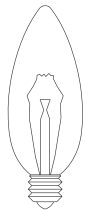
MOUNTING

Recommended Installers	1
Weight	4lbs
Backplate	3.5in x 5.5in
Junction Box	2in x 4in rect



LAMP / WIRING

Max Wattage (1) 60W C
Ships with complimentary LED bulb



RATING

Suitable for DAMP locations

UL Listed

