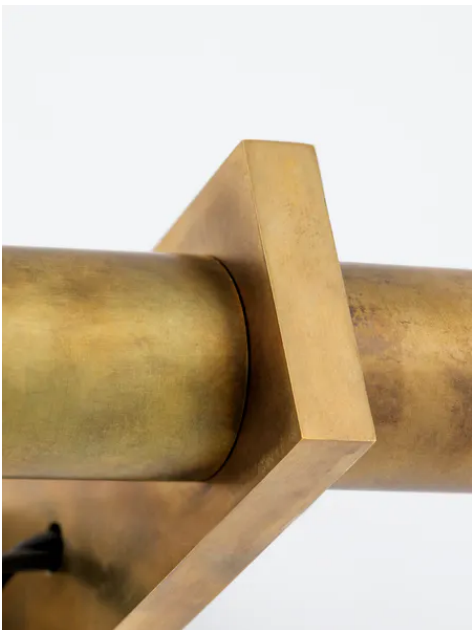


THE URBAN ELECTRIC CO.



ERDDIG CLEAN



# ERDDIG CLEAN

HARD-WIRED

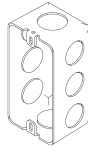
SG-2141WR

## DIMENSIONS

Width	15in
Height	2in
Depth	5.5in
X	1in
Y	4.75in

## MOUNTING

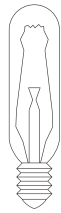
Recommended Installers	1
Weight	5lbs
Backplate	4.75in x 2in
Junction Box	1.5in x 3.75in rect



## LAMP / WIRING

Max Wattage	(1) 25W C
-------------	-----------

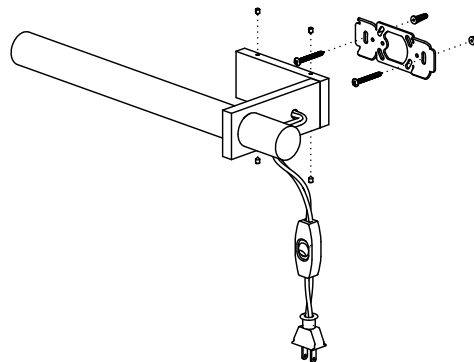
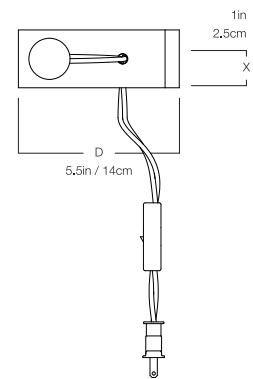
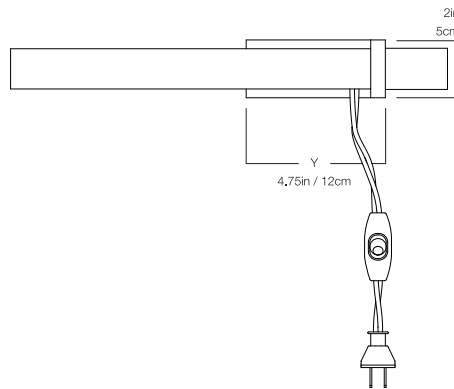
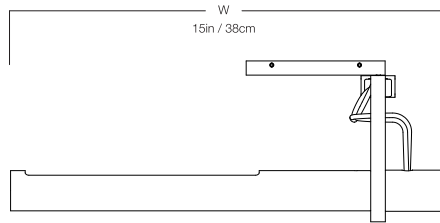
Ships with complimentary LED bulb



## RATING

Suitable for DAMP locations

UL Listed



# ERDDIG CLEAN

HARD-WIRED

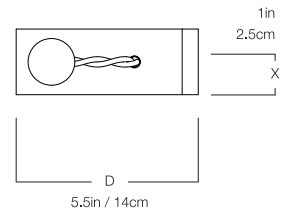
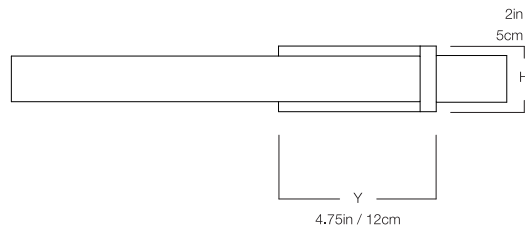
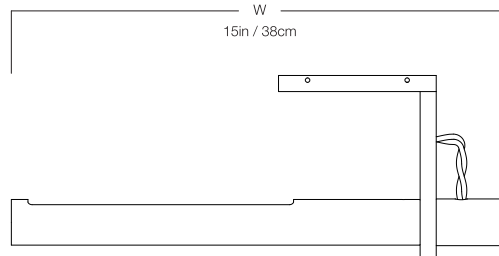
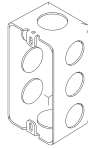
SG-2141WR

## DIMENSIONS

Width	15in
Height	2in
Depth	5.5in
X	1in
Y	4.75in

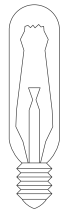
## MOUNTING

Recommended Installers	1
Weight	5lbs
Backplate	4.75in x 2in
Junction Box	1.5in x 3.75in rect



## LAMP / WIRING

Max Wattage (1) 25W C  
Ships with complimentary LED bulb



## RATING

Suitable for DAMP locations

UL Listed

