

THE URBAN ELECTRIC CO.



ESME DOUBLE



ESME DOUBLE

WALL REGULAR

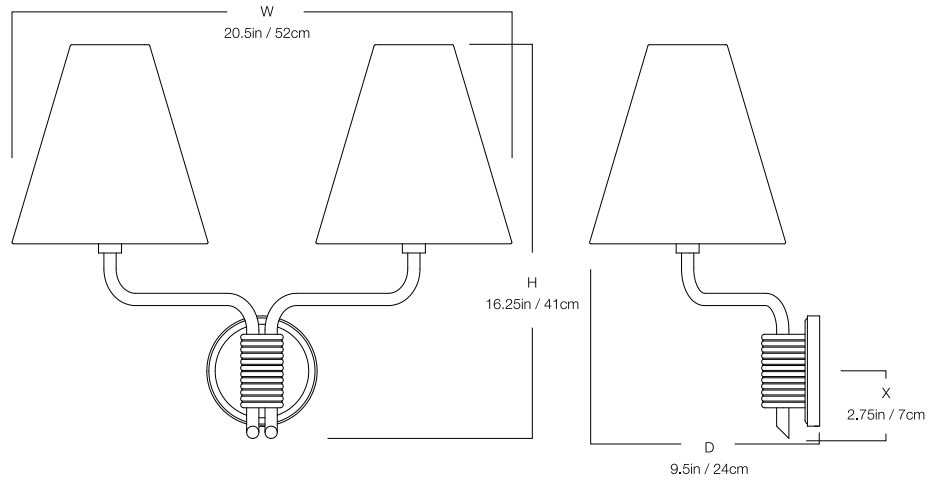
UE-2074WR

DIMENSIONS

Width	20.5in
Height	16.25in
Depth	9.5in
X	2.75in

MOUNTING

Recommended Installers	1
Weight	7lbs
Junction Box	4in oct/rnd



LAMP / WIRING

Max Wattage (2) 60W S
Ships with complimentary LED bulbs



RATING

Suitable for DAMP locations



UL Listed

PATENTS

This fixture has been filed with the United States Patent and Trademark Office, U.S. Pat. Pen. (U.S. Appl. No. 29/798,690)

