

THE URBAN ELECTRIC CO.



FIFE



FIFE

HANG REGULAR

MA-2070HR

DIMENSIONS

| | |
|--------|--------|
| Width | 20in |
| Height | 23.5in |
| X | 14in |

MOUNTING

| | |
|------------------------|-------------|
| Recommended Installers | 2 |
| Weight | 25lbs |
| Canopy | 20in dia |
| Junction Box | 4in oct/rnd |



LAMP / WIRING

| | |
|-----------------------------------|-----------|
| Max Wattage | (1) 60W S |
| Ships with complimentary LED bulb | |



RATING

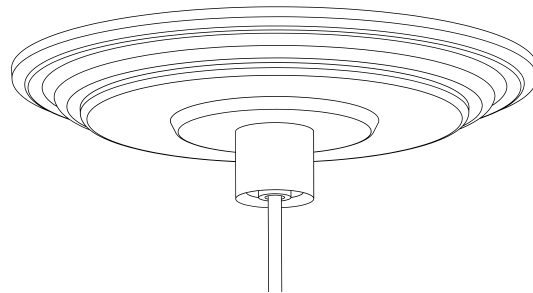
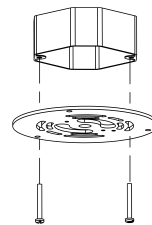
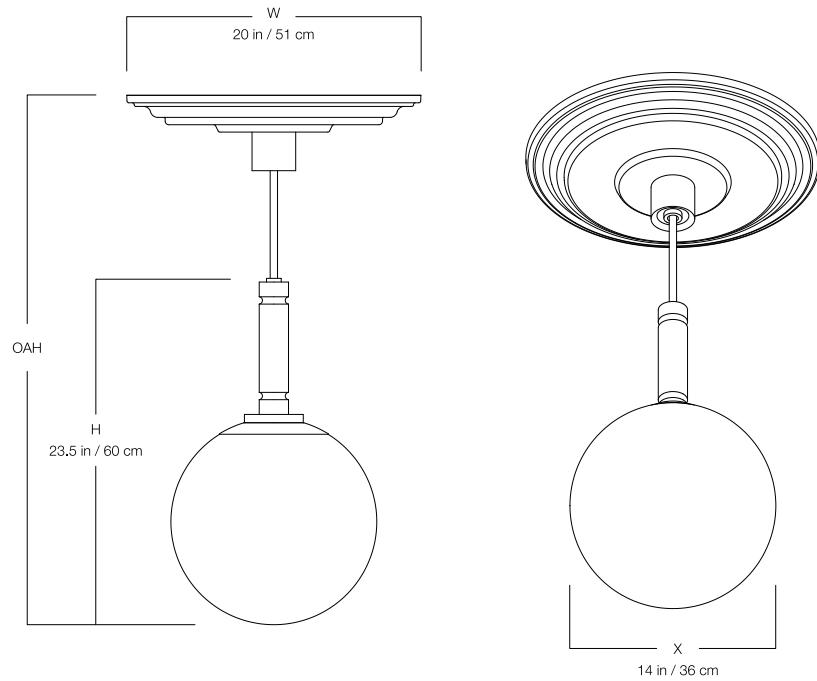
Suitable for DAMP locations



UL Listed

PATENTS

This fixture is Patented with the United States Patent and Trademark Office. Patent No. D976,477 January 24, 2023



FIFE

HANG REGULAR - REDUCED CANOPY

MA-2071HR

DIMENSIONS

| | |
|--------|--------|
| Width | 14in |
| Height | 23.5in |

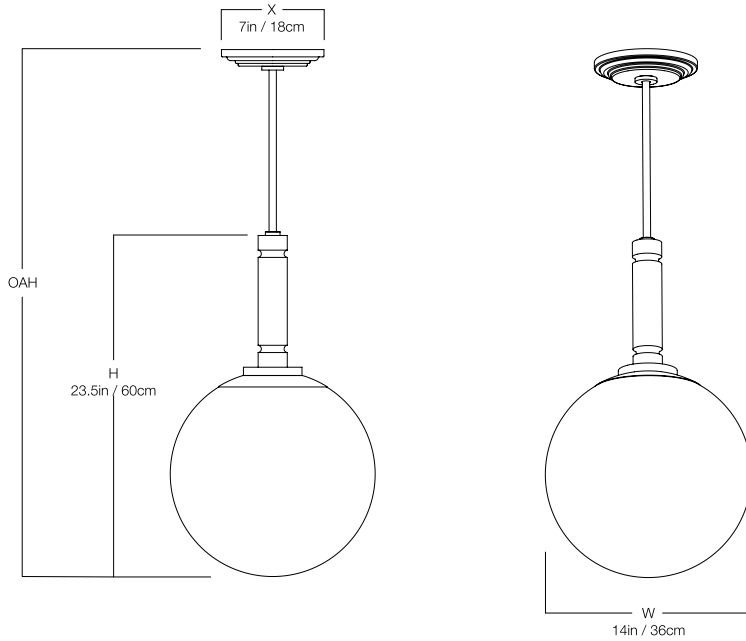
MOUNTING

| | |
|------------------------|-------------|
| Recommended Installers | 2 |
| Weight | 16lbs |
| Canopy | 7in dia |
| Junction Box | 4in oct/rnd |



LAMP / WIRING

| | |
|-----------------------------------|-----------|
| Max Wattage | (1) 60W S |
| Ships with complimentary LED bulb | |



RATING

Suitable for DAMP locations

UL Listed



PATENTS

This fixture has been filed with the United States Patent and Trademark Office, U.S. Pat. Pen. (U.S. Appl. No. 29/775,813)

