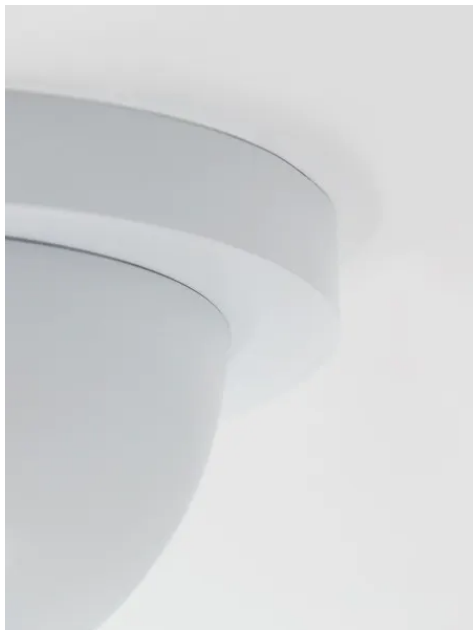


THE URBAN ELECTRIC C^o.



FOLIE FLUSHMOUNT



FOLIE FLUSHMOUNT

HANG REGULAR

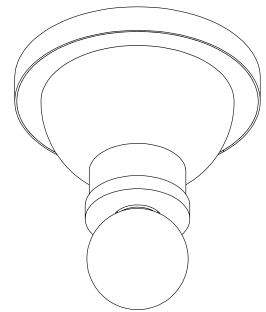
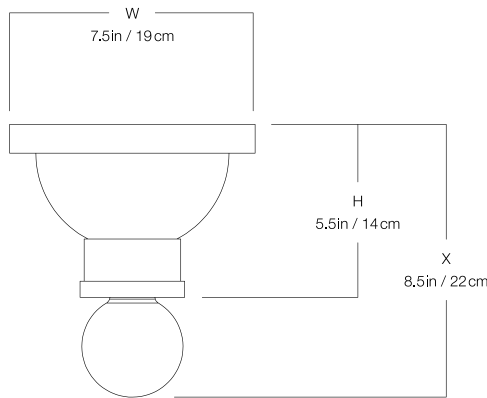
MA-1627HR

DIMENSIONS

Width	7.5in
Height	5.5in
X	8.5in

MOUNTING

Recommended Installers	1
Weight	6lbs
Canopy	7.5in dia
Junction Box	4in oct/rnd



LAMP / WIRING

Max Wattage (1) 60W S
Ships with complimentary LED bulb



RATING

Suitable for DAMP locations



UL Listed

PATENTS

This fixture is Patented with the United States Patent and Trademark Office.
Patent No. D835,827 December 11, 2015

