

THE URBAN ELECTRIC COMPANY



GRAYSON



# GRAYSON

WALL REGULAR

UE-2393WR

## DIMENSIONS

Width	5.5in
Height	17.25in
Depth	10.25in
X	5.5in

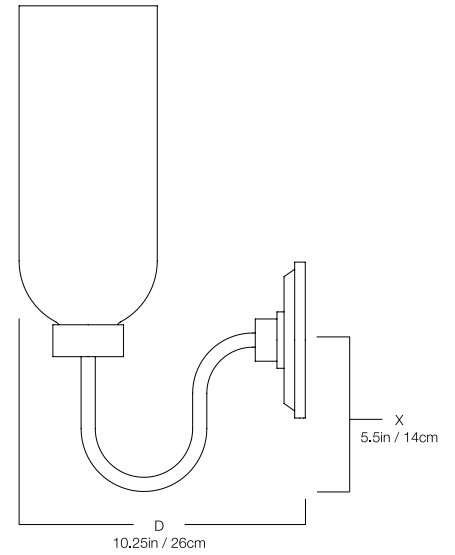
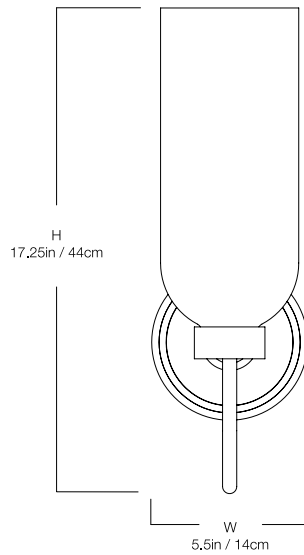
## MOUNTING

Recommended Installers	1
Weight	7lbs
Backplate	5.5in dia
Junction Box	4in oct/rnd



## LAMP / WIRING

Max Wattage	(1) 60W C
Ships with complimentary LED bulb	



## RATING

Suitable for DAMP locations



UL Listed

