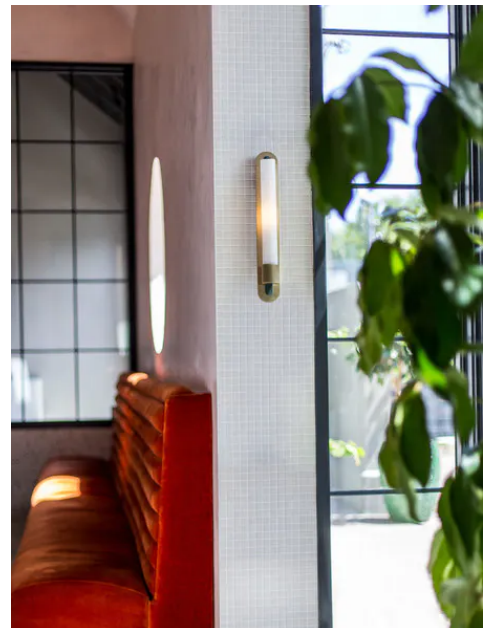


THE URBAN ELECTRIC C<sup>o</sup>.



HEDGES



# HEDGES

WALL REGULAR

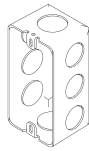
MA-1820WR

## DIMENSIONS

Width	3in
Height	20.5in
Depth	3.75in
X	9.25in

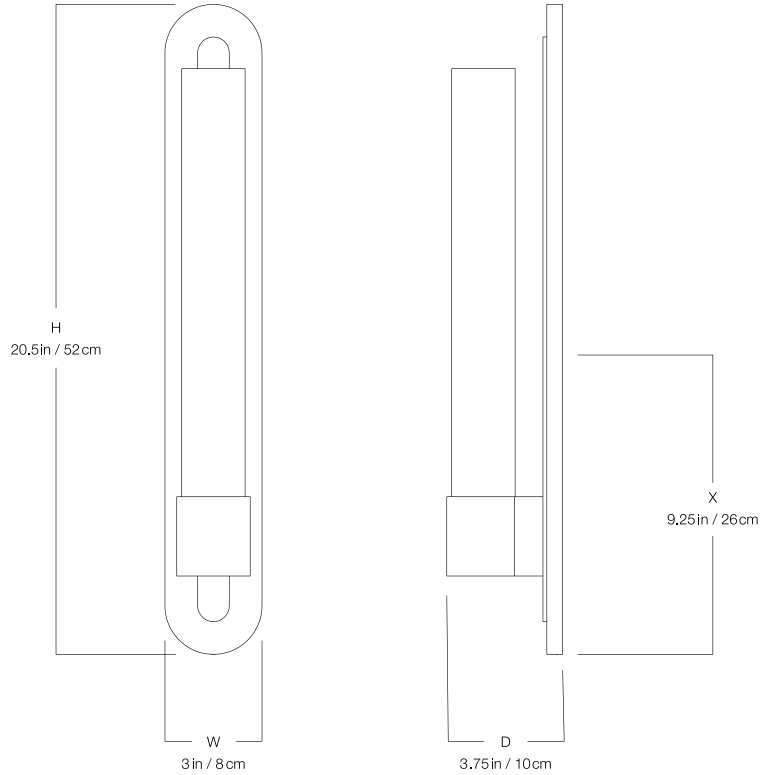
## MOUNTING

Recommended Installers	1
Weight	9lbs
Backplate	3in x 20.5in
Junction Box	2in x 4in rect



## LAMP / WIRING

Max Wattage (1) 60W C  
Ships with complimentary LED bulb



## RATING

Suitable for DAMP locations



UL Listed

ADA compliant



## PATENTS

This fixture is Patented with the United States Patent and Trademark Office.  
Patent No. D851,319 June 11, 2019

