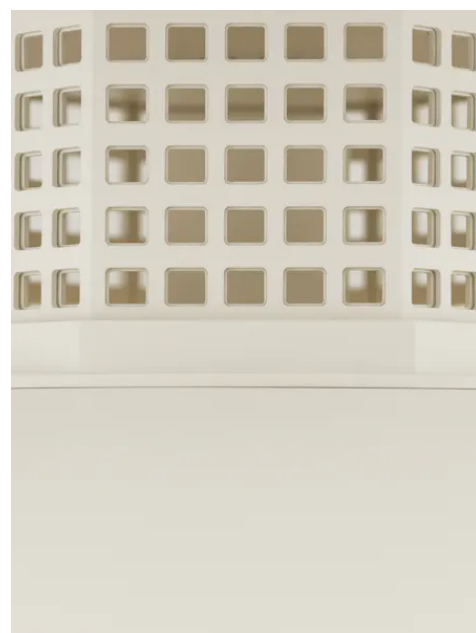


THE URBAN ELECTRIC COMPANY



HOOPER FLUSHMOUNT



HOOPER FLUSHMOUNT

HANG REGULAR

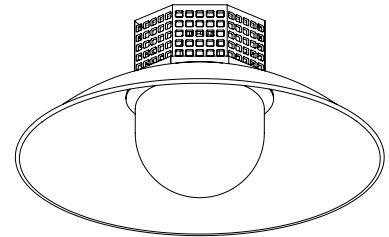
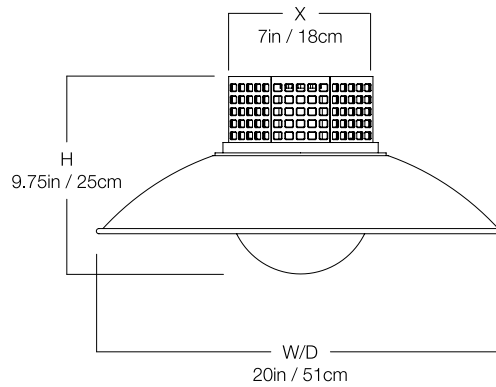
UE-2270HR

DIMENSIONS

Width	20in
Height	9.75in
Depth	20in
X	7in

MOUNTING

Recommended Installers	2
Weight	19lbs
Canopy	7in x 0in
Junction Box	4in oct/rnd



LAMP / WIRING

Max Wattage	(1) 60W S
-------------	-----------

Ships with complimentary LED bulb



RATING

Suitable for DAMP locations

UL Listed

