

THE URBAN ELECTRIC COMPANY



HUDSON



HUDSON

HANG REGULAR

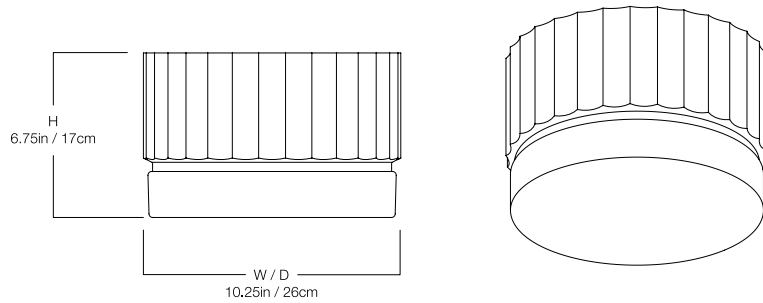
UE-2256HR

DIMENSIONS

Width	10.5in
Height	6.75in
Depth	10.25in

MOUNTING

Recommended Installers	2
Weight	19lbs
Canopy	10.5in x 0in
Junction Box	4in oct/rnd



LAMP / WIRING

Max Wattage (1) 60W S
Ships with complimentary LED bulb



RATING

Suitable for DAMP locations



UL Listed

