

THE URBAN ELECTRIC C<sup>o</sup>.



HYDE



# HYDE

WALL REGULAR

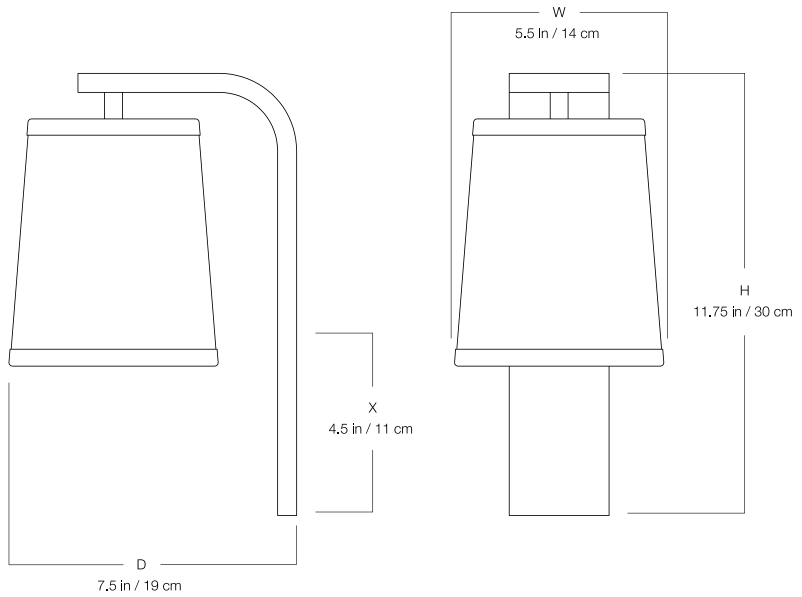
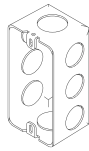
MA-2050WR

## DIMENSIONS

|        |         |
|--------|---------|
| Width  | 5.5in   |
| Height | 11.75in |
| Depth  | 7.5in   |
| X      | 4.5in   |

## MOUNTING

|                        |                |
|------------------------|----------------|
| Recommended Installers | 1              |
| Weight                 | 6lbs           |
| Backplate              | 2.75in x 9in   |
| Junction Box           | 2in x 4in rect |



## LAMP / WIRING

Max Wattage (1) 60W S

Ships with complimentary LED bulb



## RATING

Suitable for DAMP locations

UL Listed



## PATENTS

This fixture has been filed with the United States Patent and Trademark Office, U.S. Pat. Pen. (U.S. Appl. No. 29/749,144)

