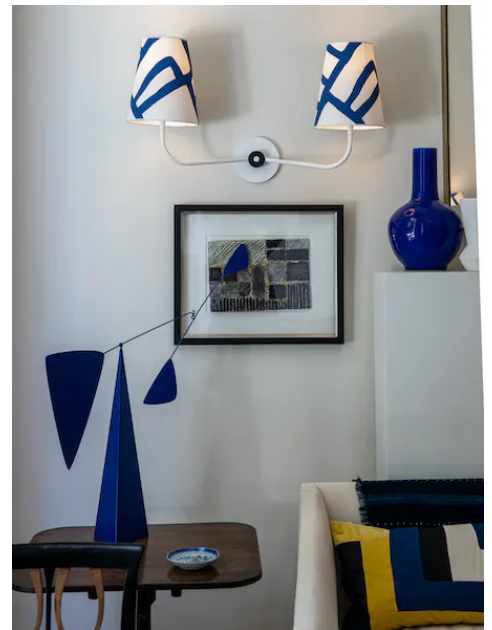


THE URBAN ELECTRIC C<sup>o</sup>.



JAX



# JAX

WALL REGULAR

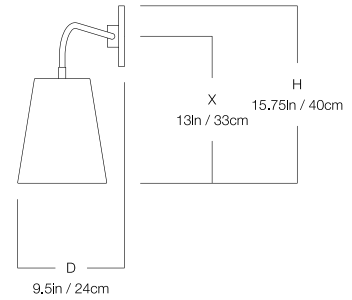
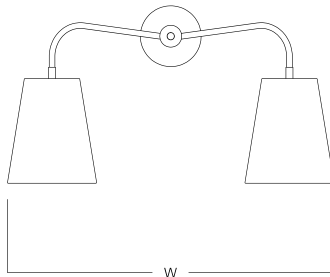
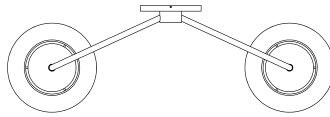
MA-1660WR

## DIMENSIONS

Width	28.75in
Height	15.75in
Depth	9.5in
X	13in

## MOUNTING

Recommended Installers	1
Weight	5lbs
Junction Box	4in oct/rnd



## LAMP / WIRING

Max Wattage (2) 60W S  
Ships with complimentary LED bulbs



## RATING

Suitable for DAMP locations



UL Listed

## PATENTS

This fixture is Patented with the United States Patent and Trademark Office. Patent No. D826,457 August 21, 2018

