

THE URBAN ELECTRIC COMPANY



LEASOWE MINI



# LEASOWE MINI

HANG SMALL

MB-2236HS

## DIMENSIONS

Width	8in
Height	5.5in
Depth	8in
X	4.75in

## MOUNTING

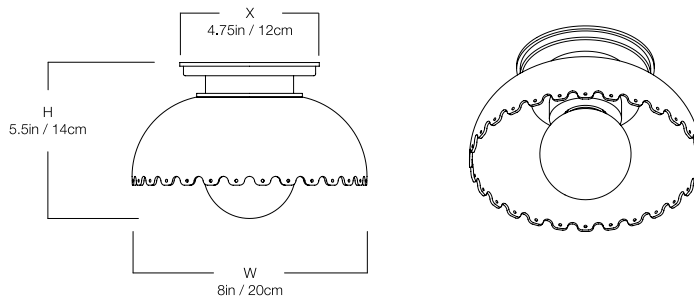
Recommended Installers	2
Weight	6lbs
Canopy	4.75in dia
Junction Box	4in oct/rnd



## LAMP / WIRING

Max Wattage (1) 60W S

Ships with complimentary LED bulb



## RATING

Suitable for DAMP locations



UL Listed

## PATENTS

This fixture has been filed with the United States Patent and Trademark Office, U.S. Pat. Pen. (U.S. Appl. No. 29/886,843)

