

THE URBAN ELECTRIC CO.



LEASOWE V.1 FLUSH



# LEASOWE V.1 FLUSH

HANG REGULAR

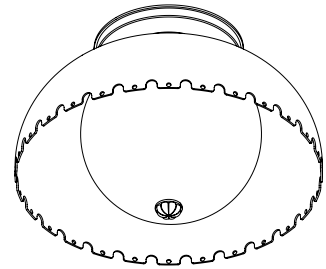
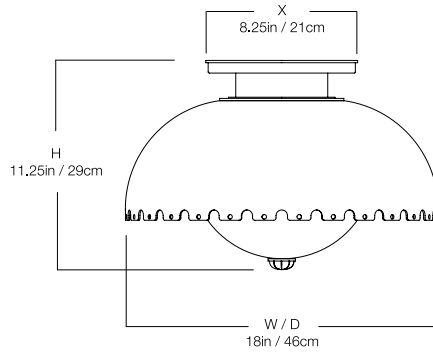
MB-2236HR

## DIMENSIONS

Width	18in
Height	11.25in
Depth	18in
X	8.25in

## MOUNTING

Recommended Installers	2
Weight	14lbs
Canopy	8.25in dia
Junction Box	4in oct/rnd



## LAMP / WIRING

Max Wattage (2) 40W C  
Ships with complimentary LED bulbs

## RATING

Suitable for DAMP locations



UL Listed

