

THE URBAN ELECTRIC CO.



LEASOWE V.1



# LEASOWE V.1

HANG REGULAR

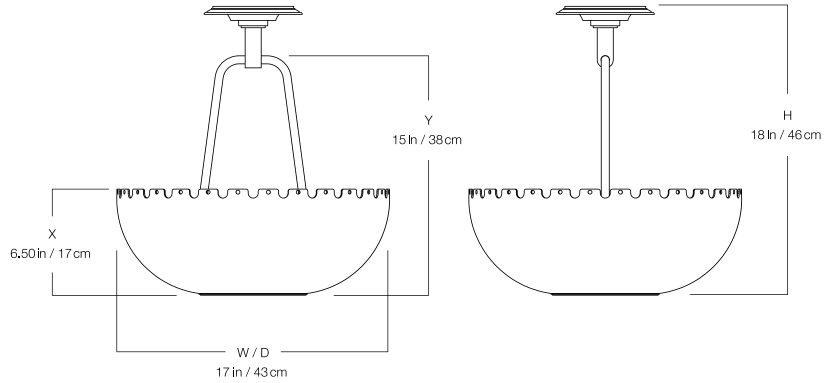
MB-1902HR

## DIMENSIONS

Width	17in
Height	18in
Depth	17in
X	6.5in
Y	15in

## MOUNTING

Recommended Installers	1
Weight	12lbs
Canopy	6in dia
Junction Box	4in oct/rnd



## LAMP / WIRING

Max Wattage (2) 60W S  
Ships with complimentary LED bulbs



## RATING

Suitable for DAMP locations

UL Listed



## PATENTS

This fixture has been filed with the United States Patent and Trademark Office, U.S. Pat. Pen. (U.S. Appl. No. 29/744,971)

