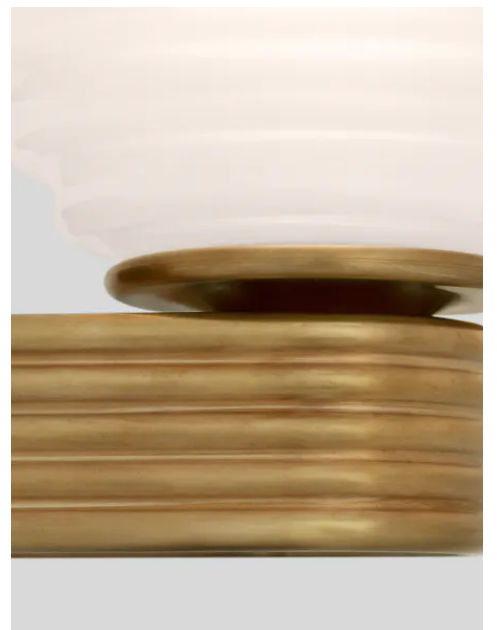


THE URBAN ELECTRIC COMPANY



LOUISE



LOUISE

WALL REGULAR

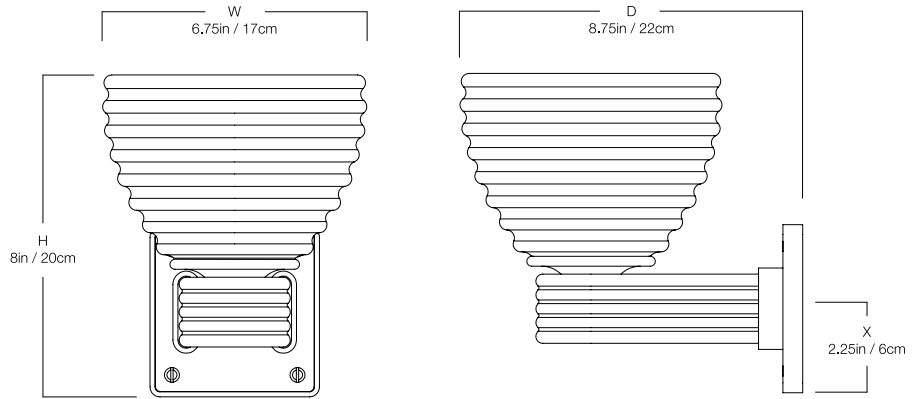
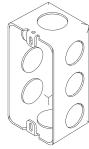
UE-2330WR

DIMENSIONS

Width	6.75in
Height	8in
Depth	8.75in
X	2.25in

MOUNTING

Recommended Installers	1
Weight	8lbs
Backplate	4.25in x 4.25in
Junction Box	2in x 4in rect



LAMP / WIRING

Max Wattage (1) 60W C
Ships with complimentary LED bulb

RATING

Suitable for DAMP locations



UL Listed

