

THE URBAN ELECTRIC C^o.



LUNDY FLUSHMOUNT



LUNDY FLUSHMOUNT

HANG REGULAR

MB-1460HR

DIMENSIONS

Width	12in
Height	11.75in

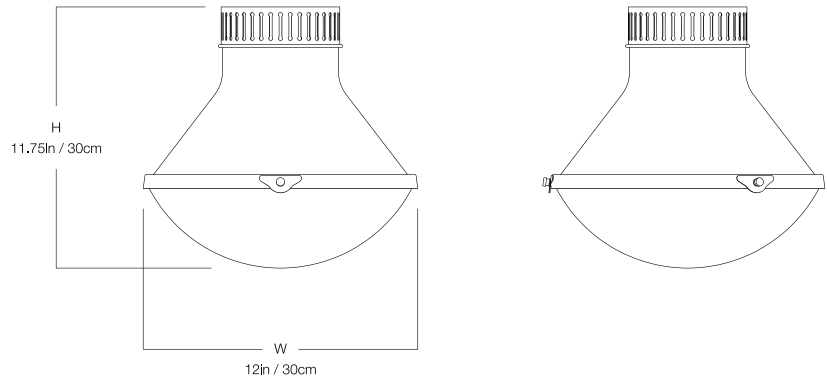
MOUNTING

Recommended Installers	2
Weight	8lbs
Canopy	5.5in dia
Junction Box	4in oct/rnd



LAMP / WIRING

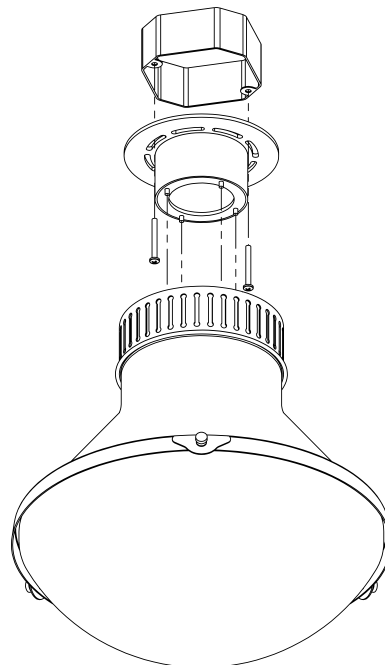
Max Wattage	(2) 60W S
Ships with complimentary LED bulbs	



RATING

Suitable for DAMP locations

UL Listed



LUNDY FLUSHMOUNT

HANG LARGE

MB-1460HL

DIMENSIONS

Width	18in
Height	17.5in

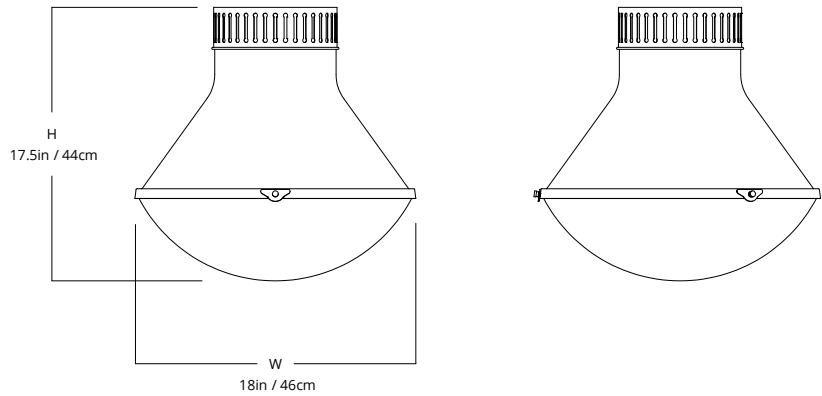
MOUNTING

Recommended Installers	2
Weight	12lbs
Canopy	8in dia
Junction Box	4in oct/rnd



LAMP / WIRING

Max Wattage	(2) 60W S
Ships with complimentary LED bulbs	



RATING

Suitable for DAMP locations

UL Listed

