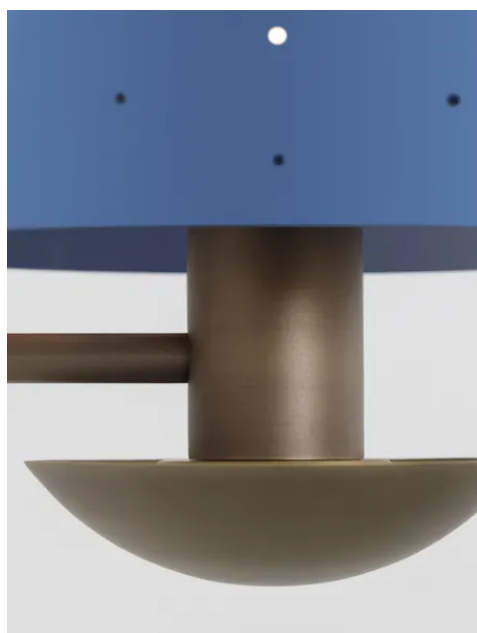


THE URBAN ELECTRIC COMPANY



MAZARINE WALL



MAZARINE WALL

REGULAR HARD-WIRED

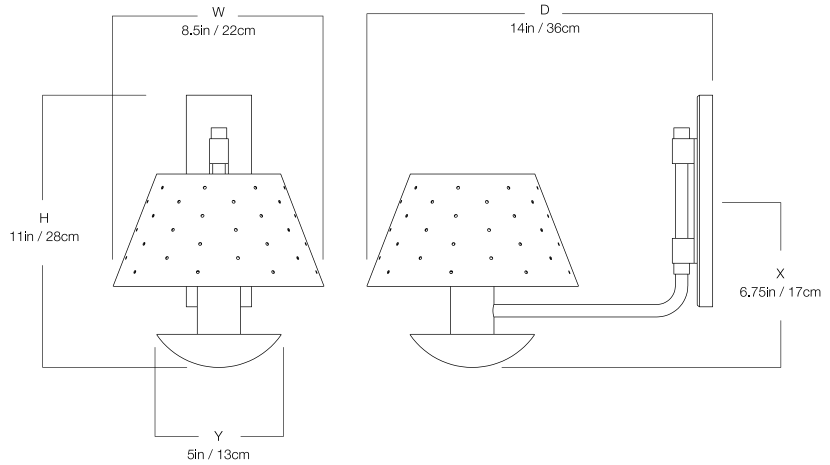
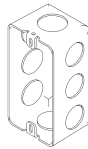
NK-1968WR

DIMENSIONS

Width	8.5in
Height	11in
Depth	14in
X	6.75in
Y	5in

MOUNTING

Recommended Installers	1
Weight	7lbs
Backplate	2.75in x 8.5in
Junction Box	2in x 4in rect



LAMP / WIRING

Max Wattage (1) 60W S
Ships with complimentary LED bulb



RATING

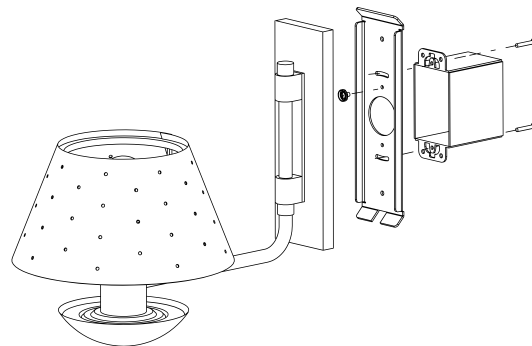
Suitable for DAMP locations



UL Listed

PATENTS

This fixture is Patented with the United States Patent and Trademark Office.
Patent No. D923,856 June 29, 2021



MAZARINE WALL

REGULAR SOFT-WIRED

NK-1967WR

DIMENSIONS

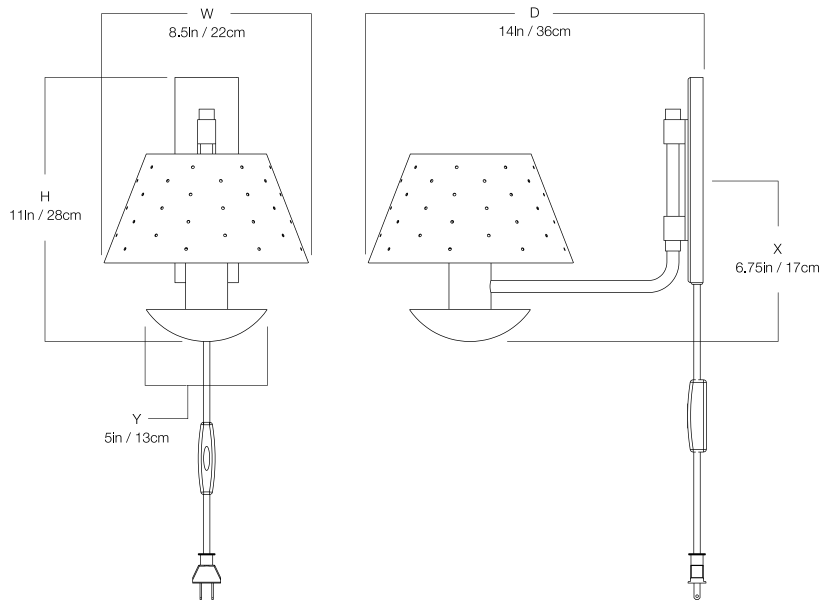
Width	8.5in
Height	11in
Depth	14in
X	6.75in
Y	5in

MOUNTING

Recommended Installers	1
Weight	7lbs
Backplate	2.75in x 8.5in
Junction Box	

LAMP / WIRING

Max Wattage	(1) 60W S
Ships with complimentary LED bulb	



RATING

Suitable for DAMP locations



UL Listed

PATENTS

This fixture is Patented with the United States Patent and Trademark Office. Patent No. D923,856 June 29, 2021

