

THE URBAN ELECTRIC C<sup>o</sup>.



MAZARINE HANG



# MAZARINE HANG

SMALL

NK-1966HS

## DIMENSIONS

Width	36in
Height	8.75in
Depth	36in
X	5in
Y	10in
Z	0in

## MOUNTING

Recommended Installers	2
Weight	27lbs
Canopy	8in x 0in
Junction Box	4in oct/rnd



## LAMP / WIRING

Max Wattage	(4) 60W S
Ships with complimentary LED bulbs	



## RATING

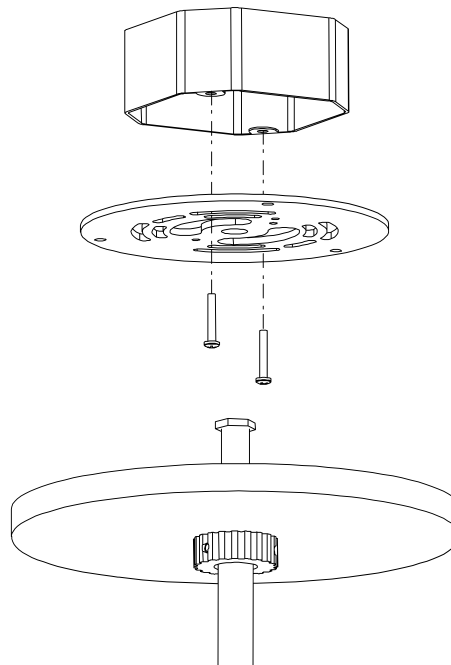
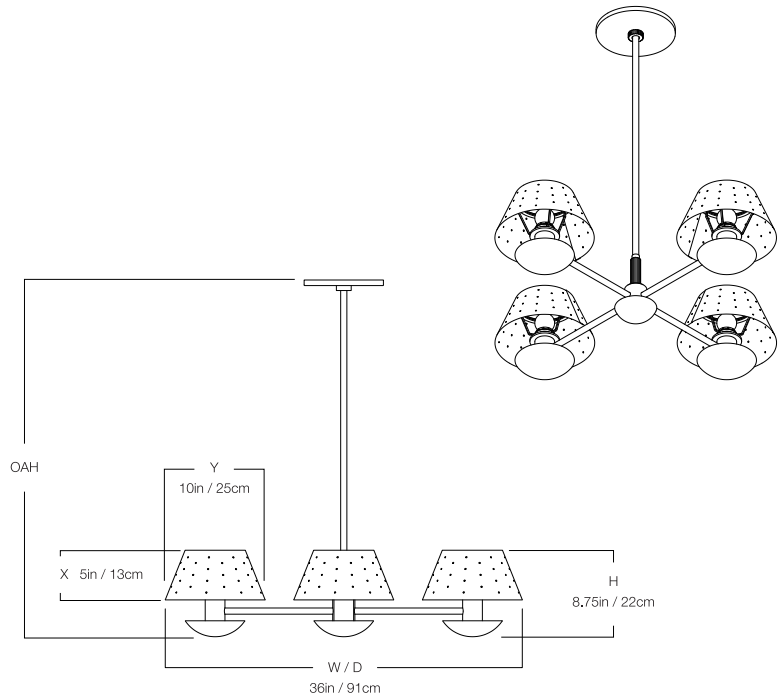
Suitable for DAMP locations

UL Listed



## PATENTS

This fixture is Patented with the United States Patent and Trademark Office.  
Patent No. D922,652 June 15, 2021



# MAZARINE HANG

REGULAR

NK-1966HR

## DIMENSIONS

Width	48in
Height	8.75in
Depth	48in
X	5in
Y	10in
Z	0in

## MOUNTING

Recommended Installers	0
Weight	28lbs
Canopy	8in x 0in
Junction Box	4in oct/rnd



## LAMP / WIRING

Max Wattage	(4) 60W S
Ships with complimentary LED bulbs	



## RATING

Suitable for DAMP locations

UL Listed



## PATENTS

This fixture is Patented with the United States Patent and Trademark Office.  
Patent No. D922,652 June 15, 2021

