

THE URBAN ELECTRIC C^o.



MELISSA WALL



MELISSA WALL

SMALL

MM-3001WS

DIMENSIONS

| | |
|--------|---------|
| Width | 7in |
| Height | 24.5in |
| Depth | 7in |
| X | 12.75in |
| Y | 4in |
| Z | 0.5in |

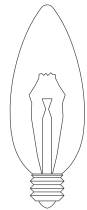
MOUNTING

| | |
|------------------------|-------------|
| Recommended Installers | 1 |
| Weight | 2lbs |
| Junction Box | 4in oct/rnd |



LAMP / WIRING

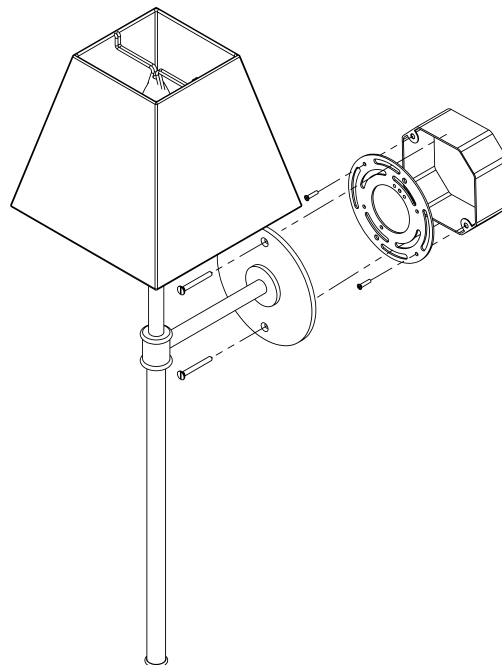
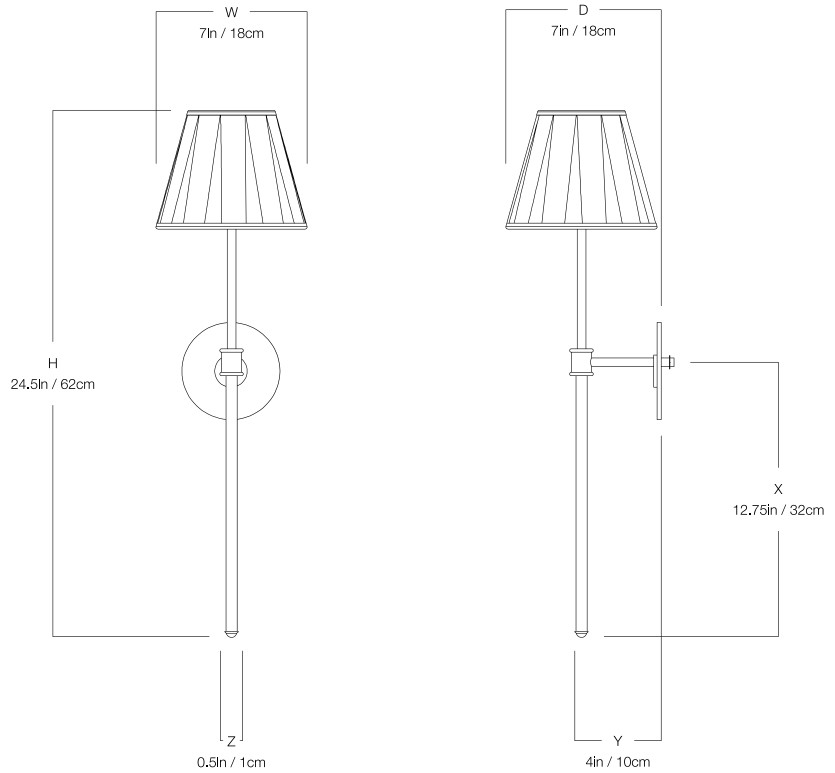
| | |
|-----------------------------------|-----------|
| Max Wattage | (1) 60W C |
| Ships with complimentary LED bulb | |



RATING

Suitable for DAMP locations

UL Listed



MELISSA WALL

LARGE

MM-3001WL

DIMENSIONS

| | |
|--------|--------|
| Width | 7in |
| Height | 25in |
| Depth | 8.75in |
| X | 13in |
| Y | 5.75in |
| Z | 0.75in |

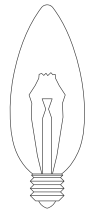
MOUNTING

| | |
|------------------------|-------------|
| Recommended Installers | 1 |
| Weight | 2lbs |
| Junction Box | 4in oct/rnd |



LAMP / WIRING

| | |
|-----------------------------------|-----------|
| Max Wattage | (1) 60W C |
| Ships with complimentary LED bulb | |



RATING

Suitable for DAMP locations

UL Listed

