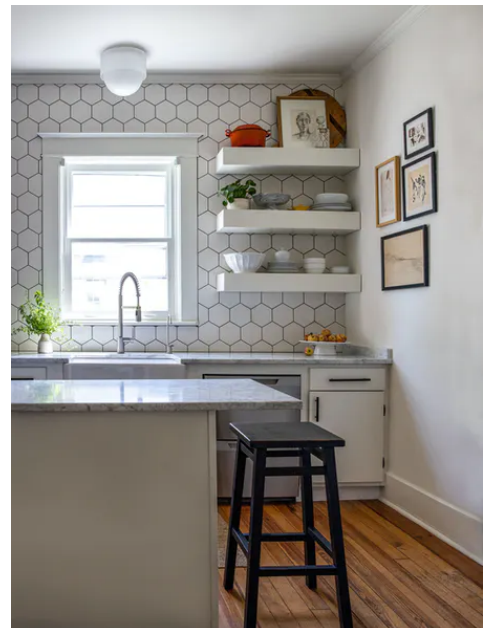
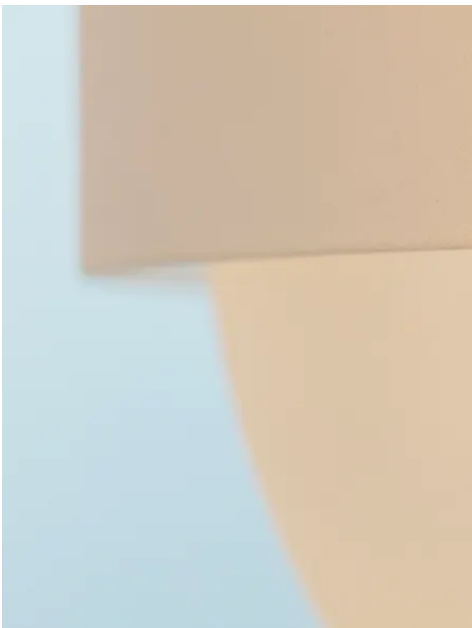


THE URBAN ELECTRIC C<sup>o</sup>.



METTE



# METTE

HANG REGULAR

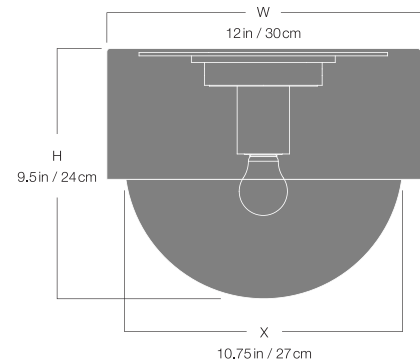
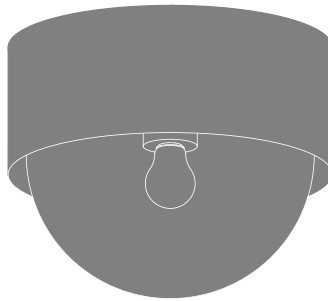
MA-1906HR

## DIMENSIONS

Width	12in
Height	9.5in
X	10.75in

## MOUNTING

Recommended Installers	1
Weight	7lbs
Canopy	12in dia
Junction Box	4in oct/rnd



## LAMP / WIRING

Max Wattage (1) 60W S  
Ships with complimentary LED bulb



## RATING

Suitable for DAMP locations



UL Listed

## PATENTS

This fixture has been filed with the United States Patent and Trademark Office, U.S. Pat. Pen. (U.S. Appl. No. 29/720,048)

