

THE URBAN ELECTRIC COMPANY



NYHAVN DOUBLE



NYHAVN DOUBLE

WALL REGULAR

MA-2044WR

DIMENSIONS

Width	21.25in
Height	18in
Depth	10in
X	15.75in
Y	8in

MOUNTING

Recommended Installers	1
Weight	6lbs
Backplate	4.5in dia
Junction Box	4in oct/rnd



LAMP / WIRING

Max Wattage (2) 60W S

Ships with complimentary LED bulbs

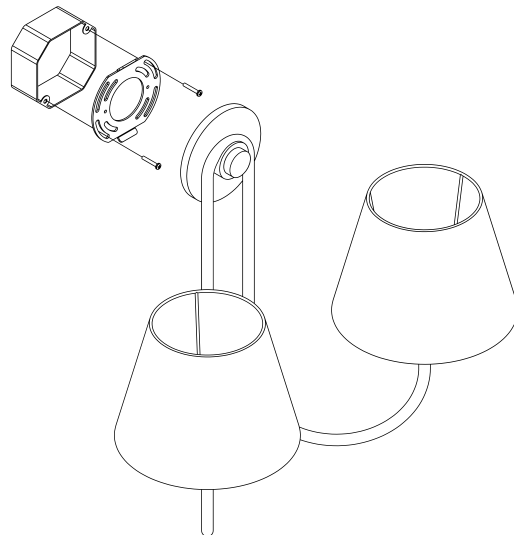
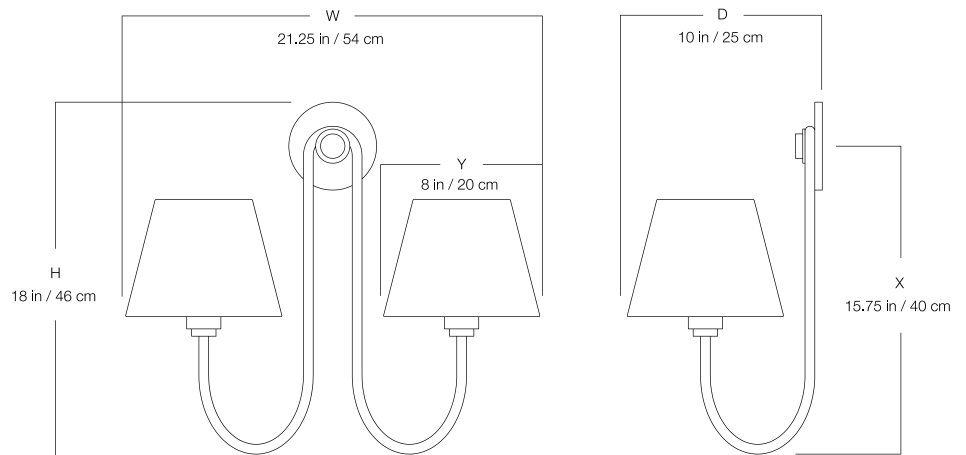


RATING

Suitable for DAMP locations



UL Listed



NYHAVN DOUBLE

WALL SMALL

MA-2044WS

DIMENSIONS

Width	21.25in
Height	13in
Depth	10in
X	7.5in
Y	8in

MOUNTING

Recommended Installers	1
Weight	6lbs
Backplate	4.5in dia
Junction Box	4in oct/rnd



LAMP / WIRING

Max Wattage (2) 60W S

Ships with complimentary LED bulbs



RATING

Suitable for DAMP locations



UL Listed

