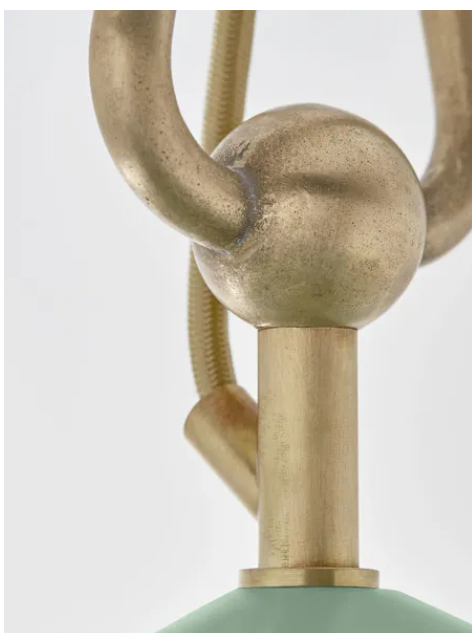
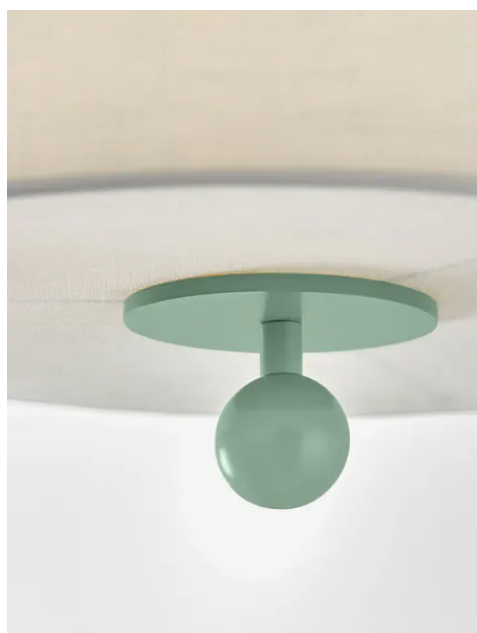


THE URBAN ELECTRIC COMPANY



OLIVER



OLIVER

HANG REGULAR

MA-1620HR

DIMENSIONS

Width	16in
Height	27.75in
X	12.5in

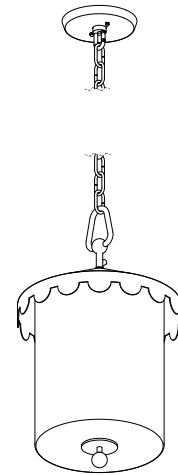
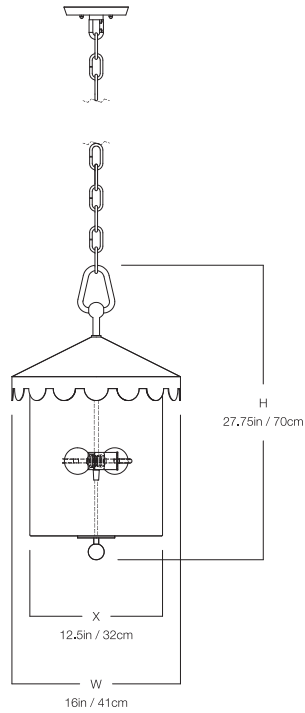
MOUNTING

Recommended Installers	2
Weight	12lbs
Canopy	6in x 0in
Junction Box	4in oct/rnd



LAMP / WIRING

Max Wattage (2) 60W S
Ships with complimentary LED bulbs



RATING

Suitable for DAMP locations

UL Listed



PATENTS

This fixture is Patented with the United States Patent and Trademark Office. Patent No. D818,179 May 15, 2018

