

THE URBAN ELECTRIC CO.



ORFORD



ORFORD

WALL REGULAR

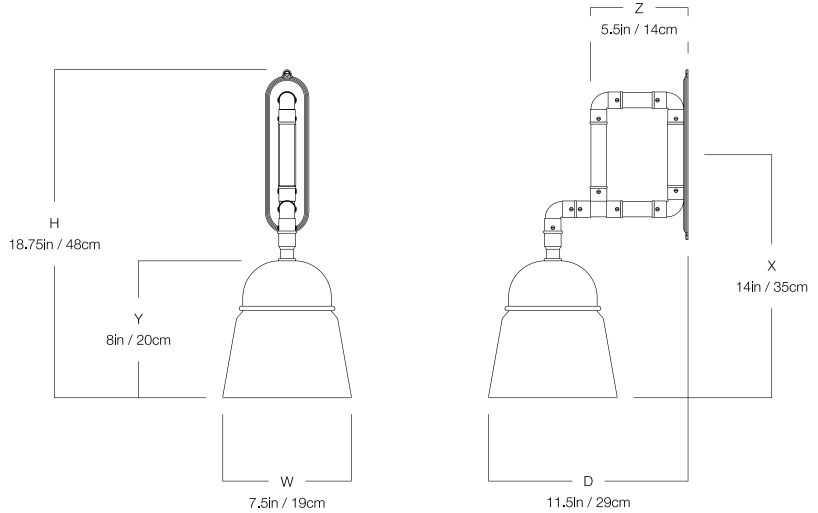
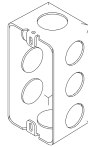
MB-1465WR

DIMENSIONS

Width	7.5in
Height	18.75in
Depth	11.5in
X	14in
Y	8in
Z	5.5in

MOUNTING

Recommended Installers	1
Weight	6lbs
Backplate	2.5in x 9.75in
Junction Box	2in x 4in rect



LAMP / WIRING

Max Wattage	(1) 60W S
Ships with complimentary LED bulb	



RATING

Suitable for DAMP locations
UL Listed

